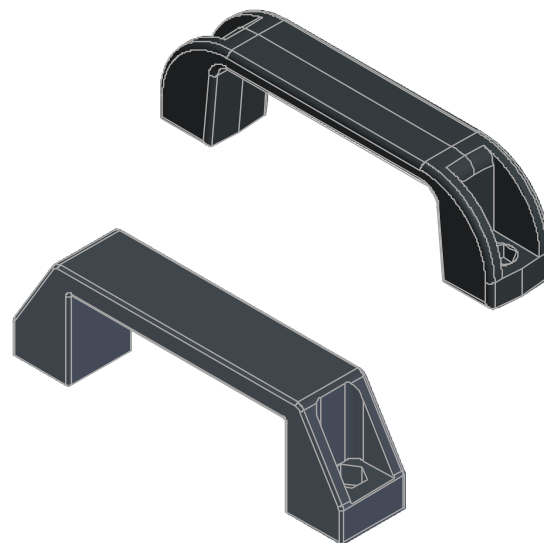
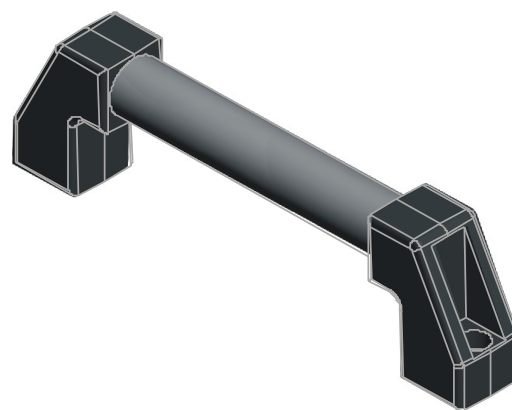


Handle PA

Material: Polyamid

Handle

Material:
holders – polyamide
tube - Aluminium

| Type | L | F | L1 | H | Cat.No. |
|-----------|-----|------|-----|----|---------|
| Handle PA | 107 | 93,5 | 74 | 36 | 03.848 |
| | 134 | 117 | 95 | 41 | 03.849 |
| | 142 | 122 | 98 | 40 | 03.850 |
| | 150 | 132 | 108 | 45 | 03.851 |
| | 197 | 179 | 153 | 50 | 03.852 |
| Handle | 224 | 200 | 154 | 78 | 03.854 |
| | 324 | 300 | 254 | 78 | 03.855 |
| | 424 | 400 | 354 | 78 | 03.856 |
| | 524 | 500 | 454 | 78 | 03.857 |

Order example : Handle Cat.No. 03.849