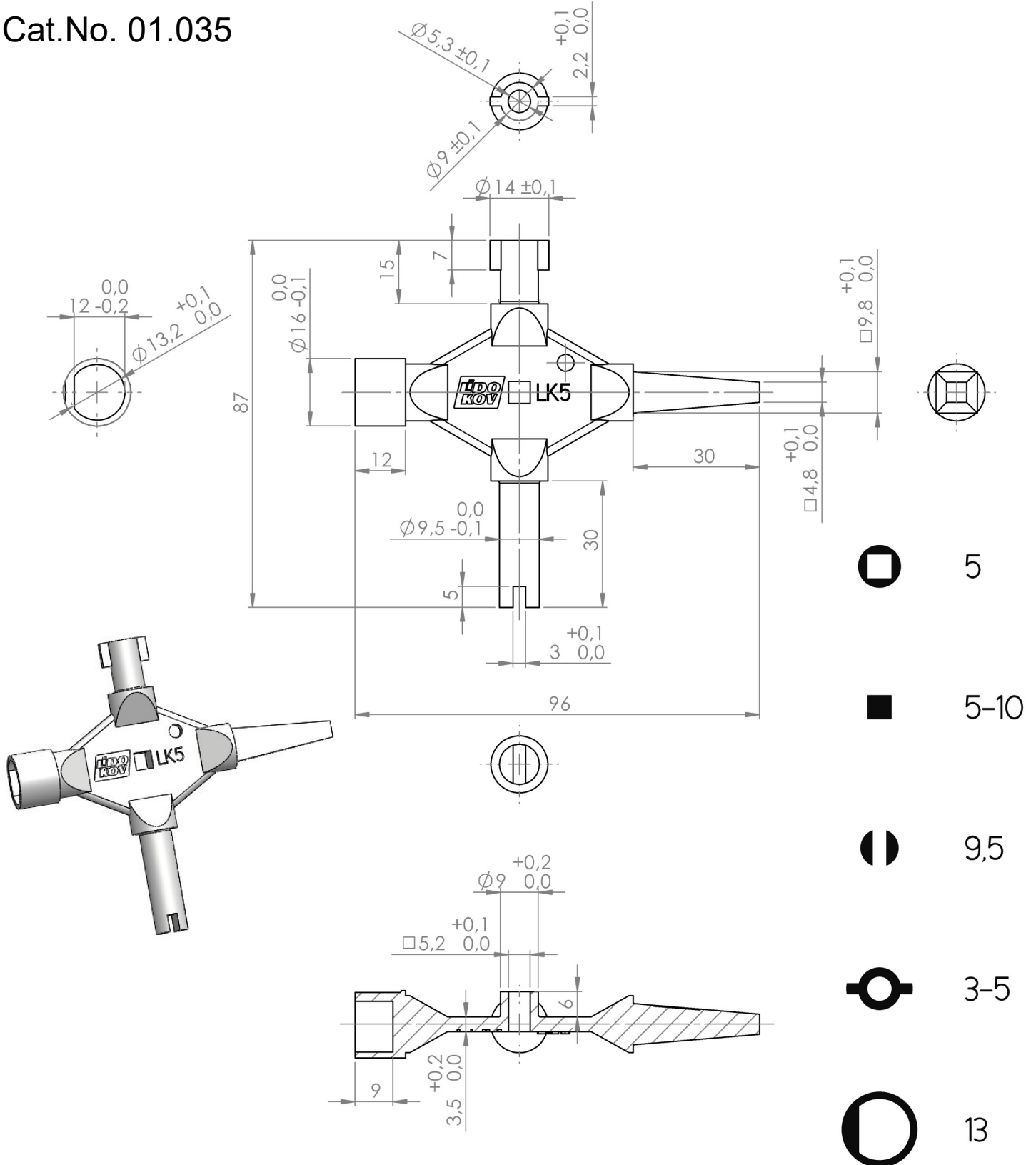


Cat.No. 01.035

**Material :** Alloy ZnAl, zinc plated**Order example :** Multi key **01.035**