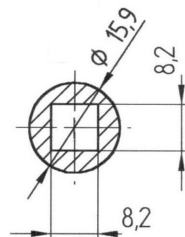
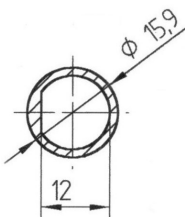
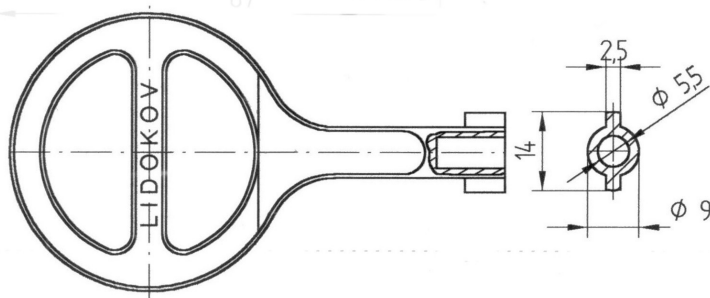


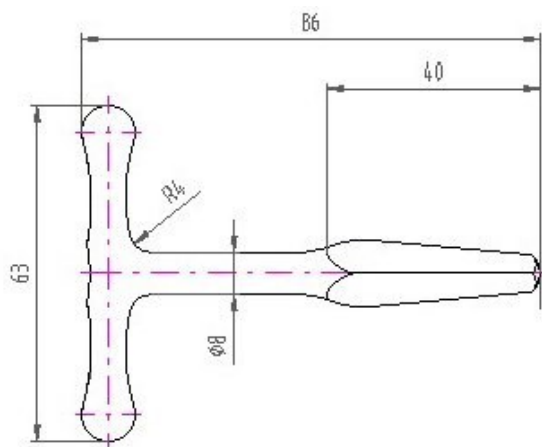
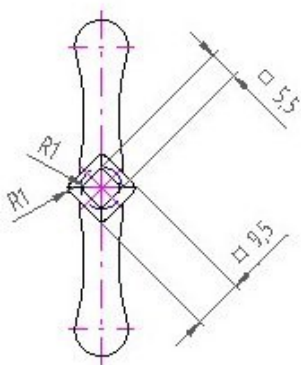
Cat.No. 01.036



Cat.No. 01.037



Cat.No. 01.038



Cat.No. 01.336



Order example : Key LIDOKOV 01.038

Material : 01.027 - 01.038 Alloy ZnAl,(zinc plated) , 01.336 steel (zinc plated)