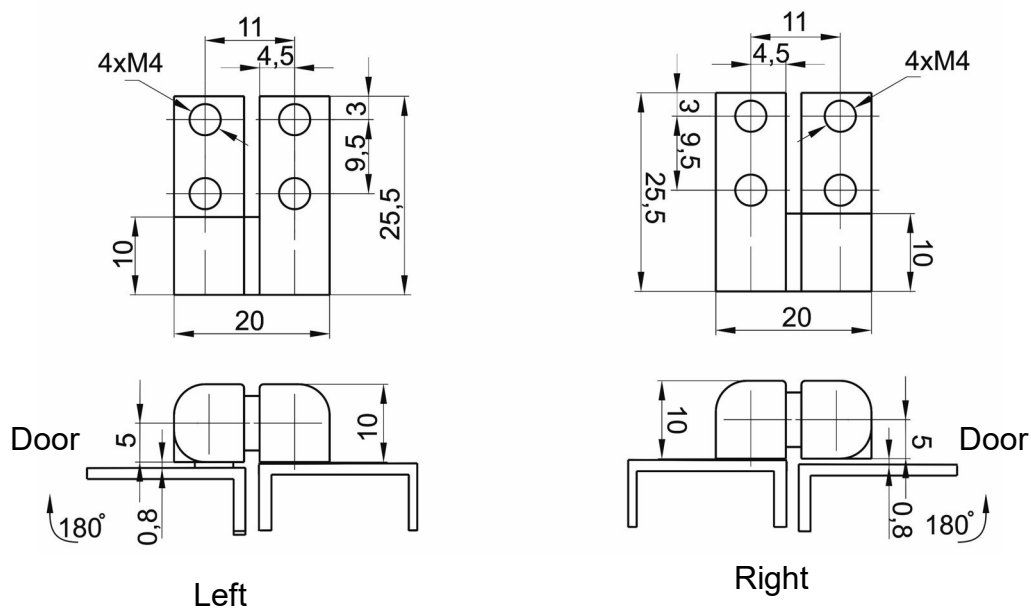
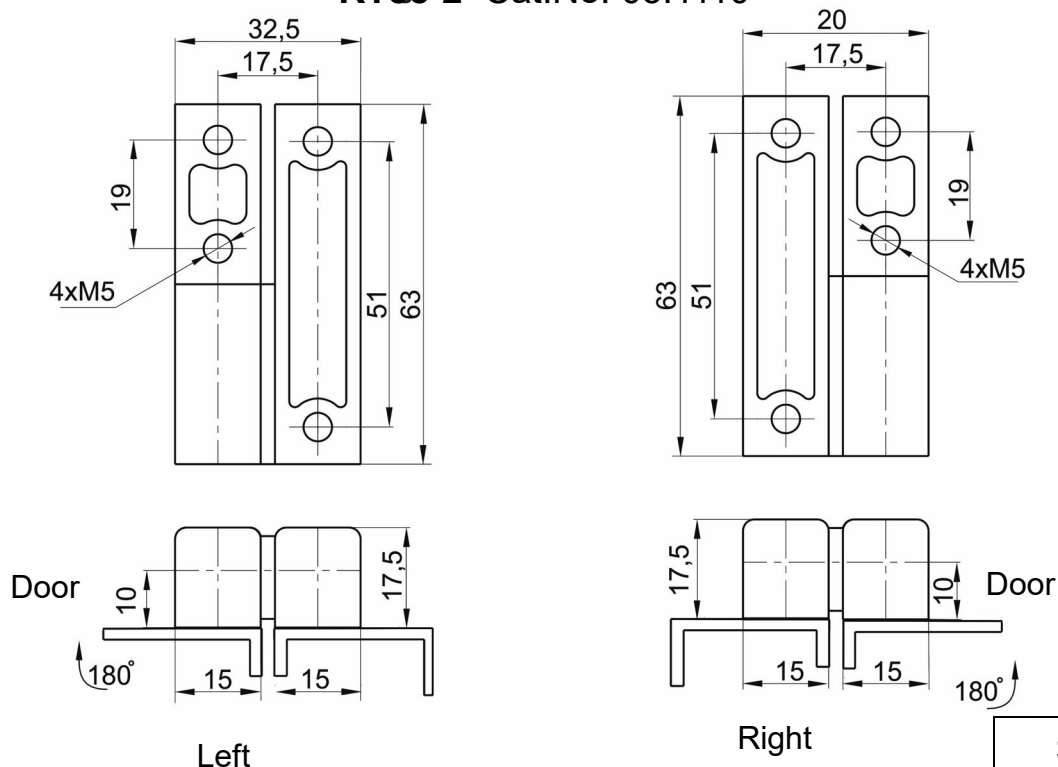


**RT88-1** Cat.No. 03.1109**RT88-2** Cat.No. 03.1110

Sf	Surface finish
24	RAL 9005
23	Cr
231	Cr satin

**Material:** Body - alloy ZnAl, pin - steel

**Order example** hinge RT88 :Hinge RT88-1 03.1109/Sf /Right