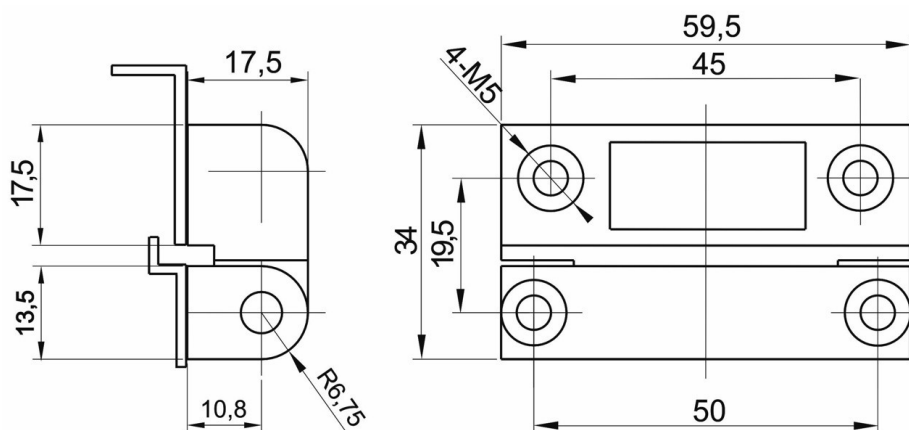
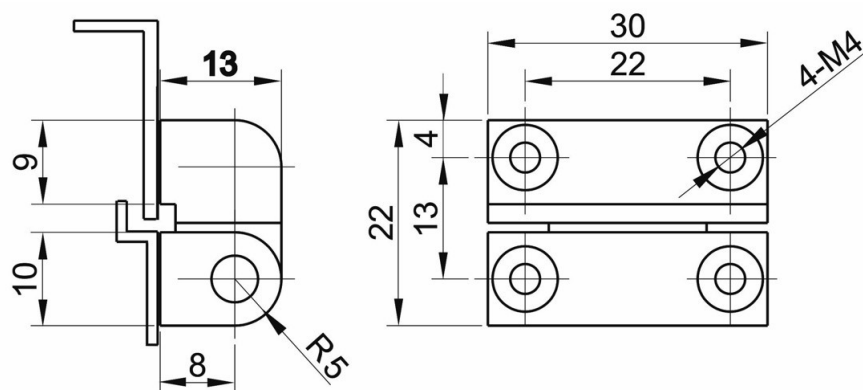
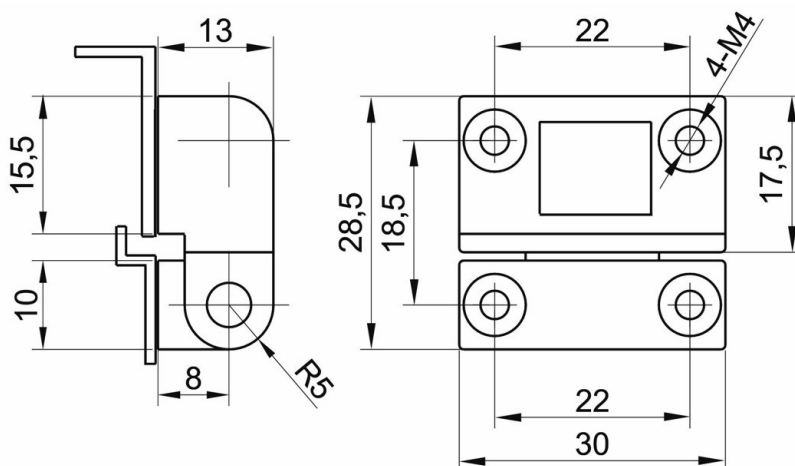


RT87-1 Cat.No. 03.1106**RT87-2** Cat.No. 03.1107**RT87-3** Cat.No. 03.1108

Material: Body - alloy. ZnAl, pin - steel

Order example hinge RT87 :HingeRT87-1 03.1106 /Pu

Pu	Surface finish
24	RAL 9005
23	Cr
231	Cr satin