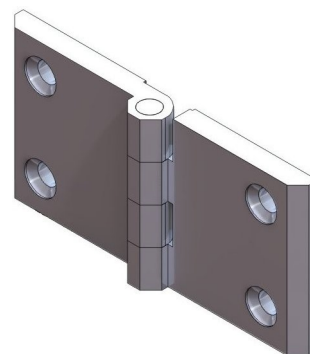
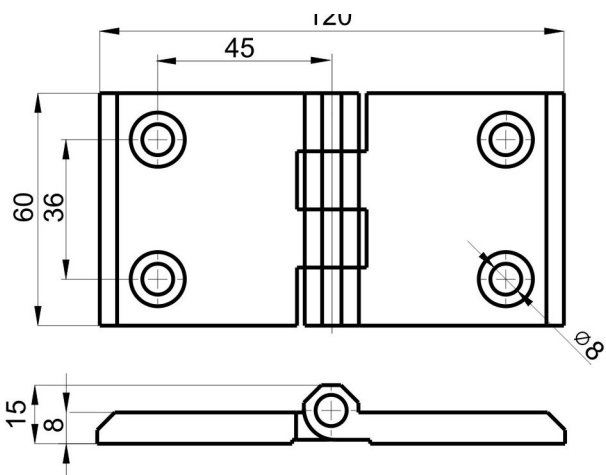
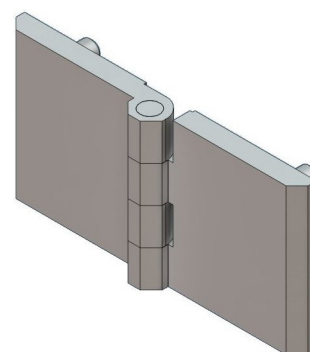
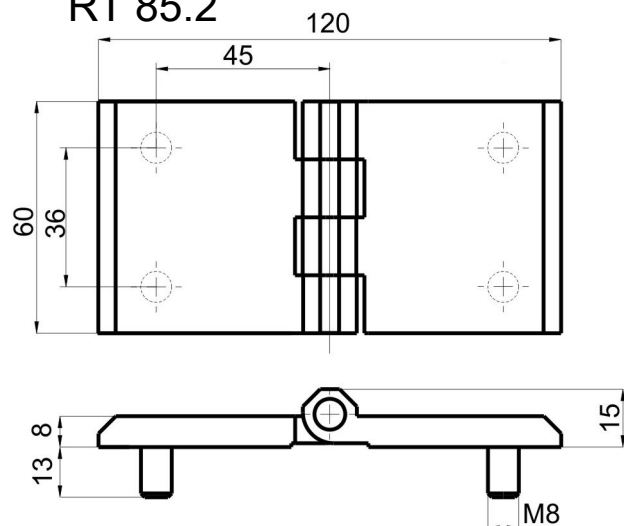


RT 85.1

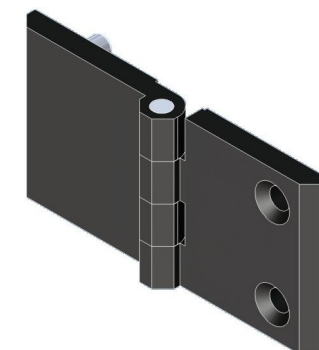
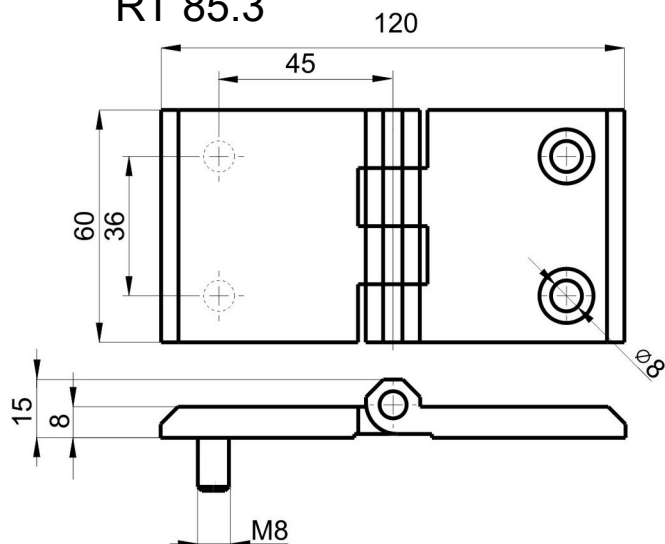
Cat.No. 03.1026



RT 85.2



RT 85.3



Hinge	Version	
	Chrome plated	Powder coated
RT 85.1	Cr	RAL 9005
RT 85.2	Cr	RAL 9005
RT 85.2	Cr	RAL 9005

**Material:**  
body- alloy ZnAl  
pin - steel,

Order example chrome finish version RT 85.1 :  
**Hinge RT 85.1 03.1026 / Cr**