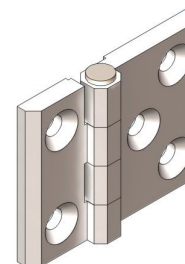
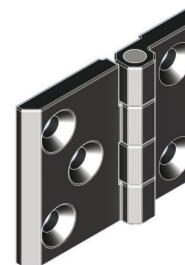
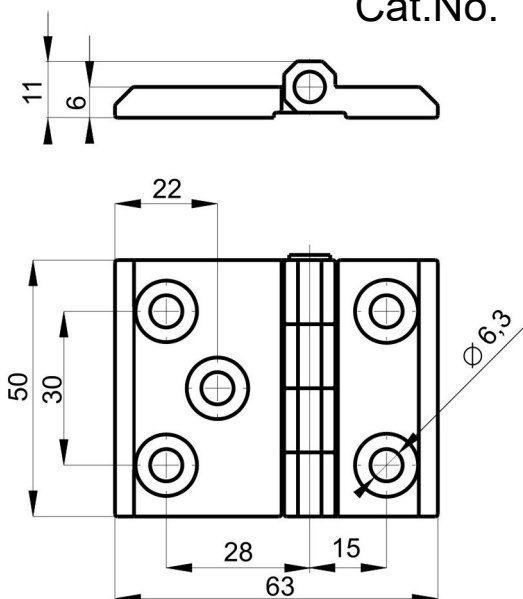
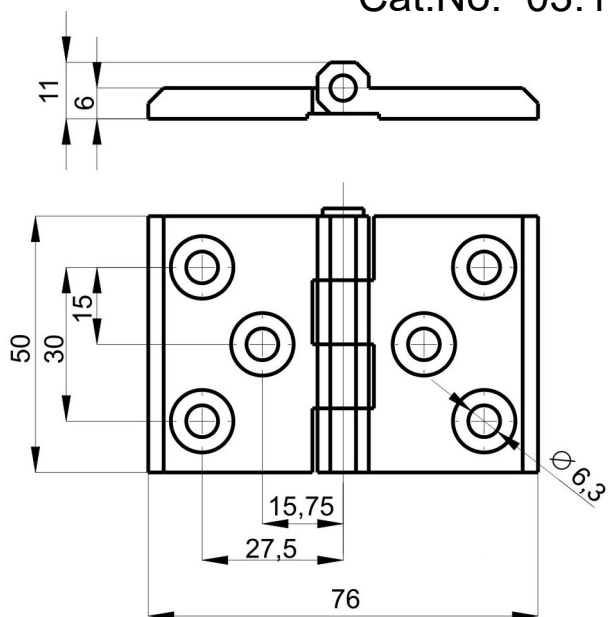
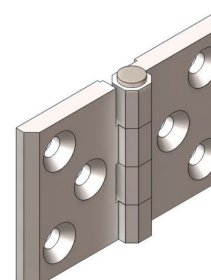


RT 81.1
Cat.No. 03.1022RT 81.2
Cat.No. 03.1023

Material:
body - alloy ZnAl, Polyamid
pin - steel,

Specification:
First digit – version of hinge
0 - version 5 holes
1 - version 4 holes
2 - version 6 holes

Second digit – surface finish
1 - chrome
2 - RAL 9005
1 - polyamid



Hinge	Version		
	Chrome	RAL 9005	Polyamid
RT 81.1	01	02	03
RT 81.2	11	12	13
RT 81.2	21	22	23

Order example chrome finish:

Hinge RT 81.1 03.1022 / 01