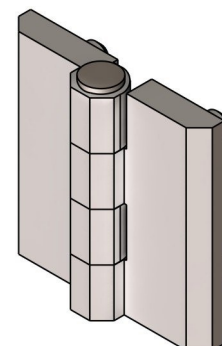
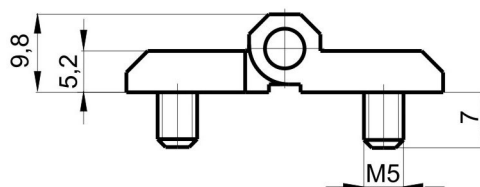
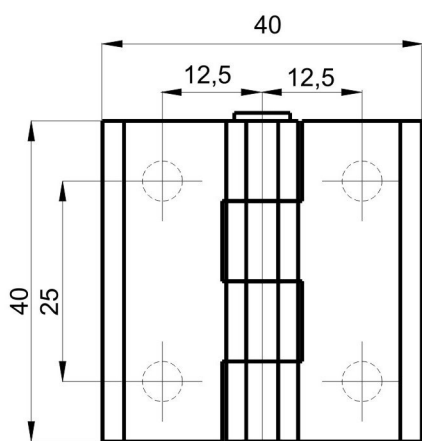
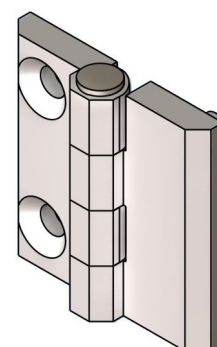
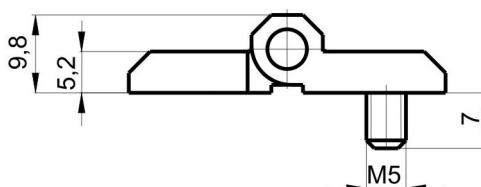
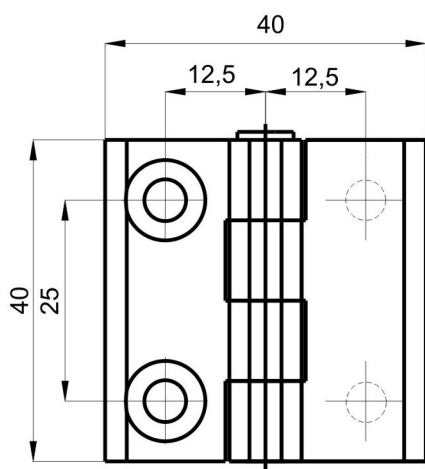


RT6-3
Cat.No. 03.1020RT6-4
Cat.No. 03.1021

Material:
body - alloy ZnAl, RAL9005, Cr
pin - steel,

Order example chrome plated version :
Hinge RT6-3 03.1020 / Cr