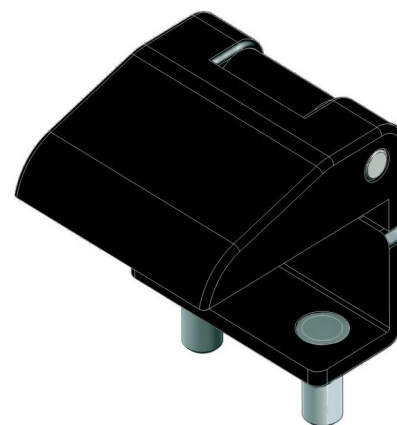
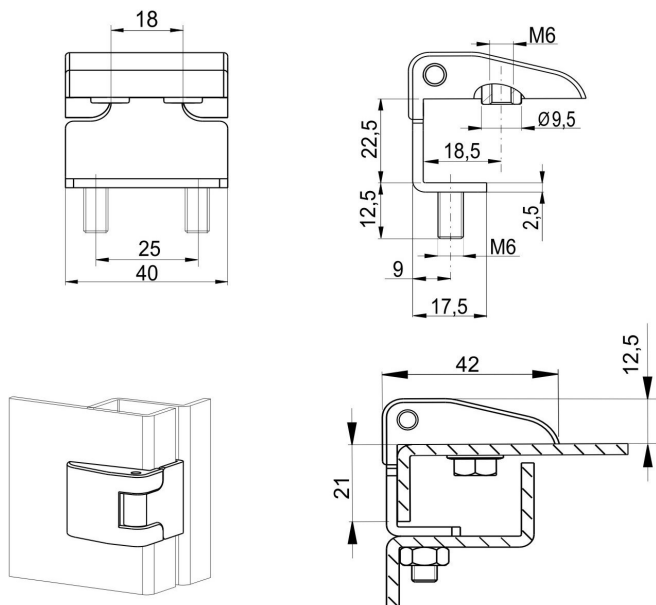
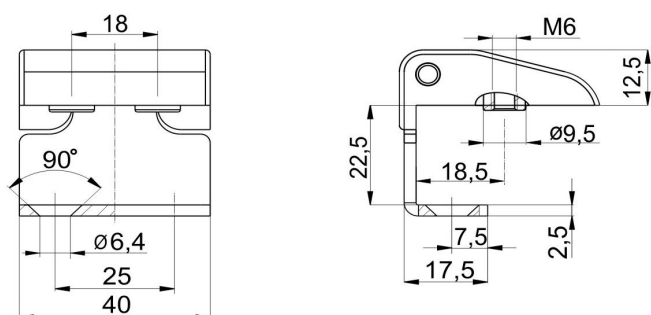
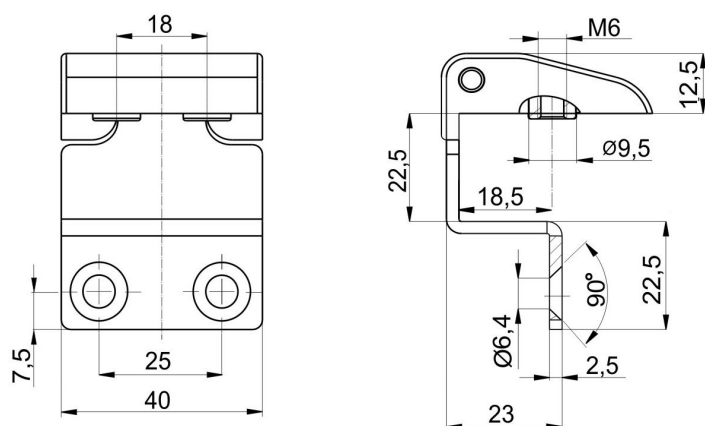


Hinge RT 78.1  
Cat.No. 03.1004Hinge RT 78.2  
Cat.No. 03.1005Hinge RT 78.3  
Cat.No. 03.1006

**Material :** Hinge - steel, alloy ZnAl , pin - steel  
**Surface finish :** powder coating, RAL 9005.

Order example zinc plated version: **Hinge RT 78.3 - 03.1006**