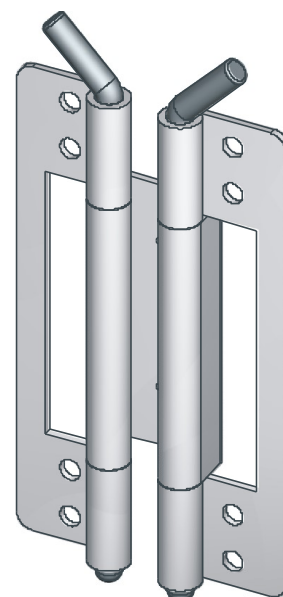
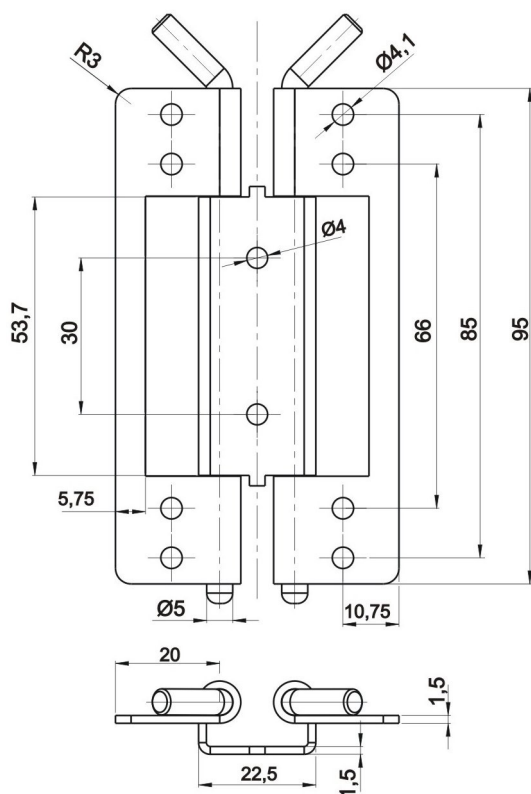


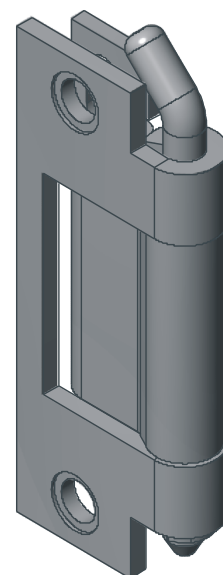
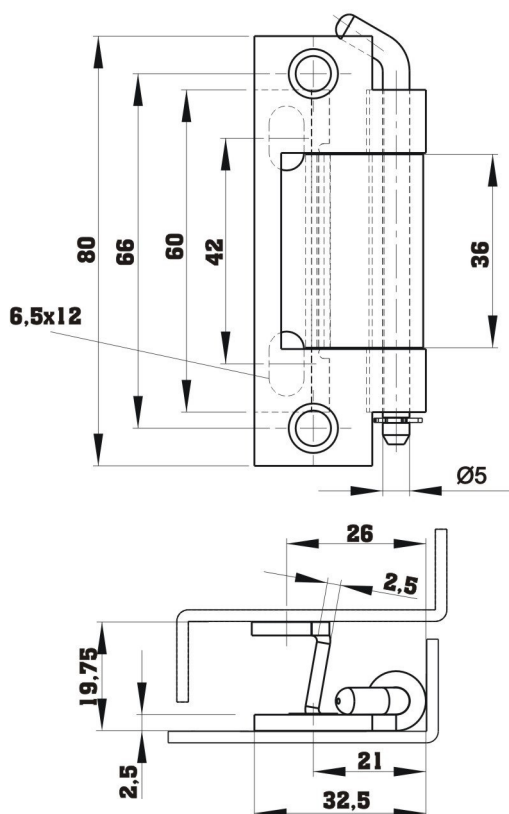
RT67 Cat.No. 03.826



Material :
steel without surface finish

Order example:
Hinge RT67 03.826

RT68 Cat.No. 03.827



Material :
Body , pin : steel, zinc plated
Part for welding : steel without surface finish

Order example:
Hinge RT68 03.827