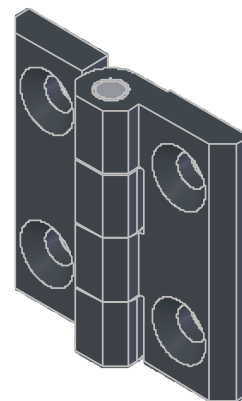
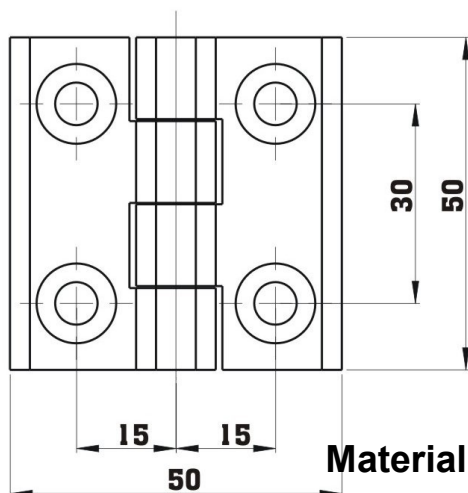
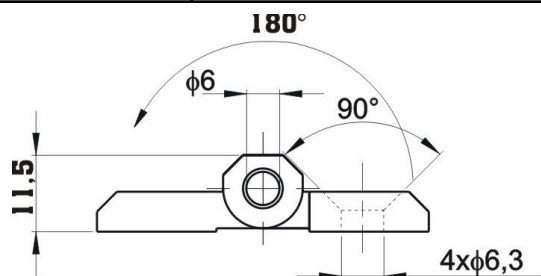


## RT 57 Cat.No. 03.625

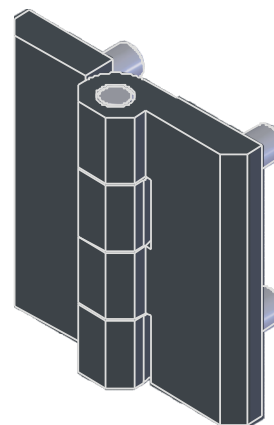
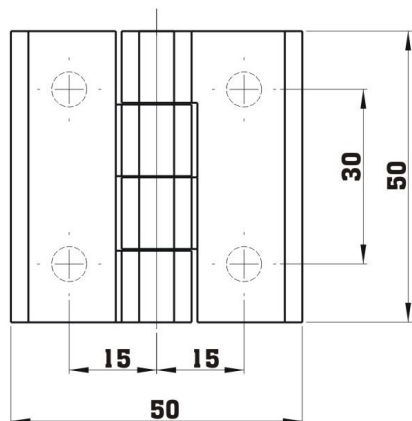
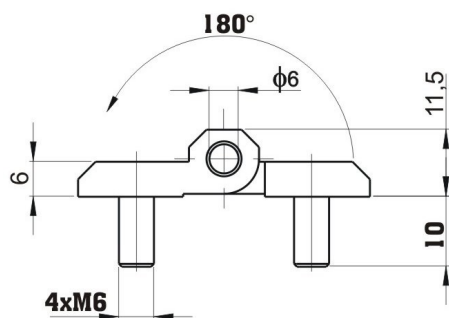


**Material** : alloy ZnAl , powder coating - RAL 9005, 7035  
pin : steel - zinc plated

Order example of hinge RT57, RAL 9005:

**Hinge RT57 03.625 - 9005**

## RT58 Cat.No. 03.626



**Material** : alloy ZnAl , powder coating - RAL 9005, 7035  
pin : steel - zinc plated

Order example of hinge RT58, RAL 9005:

**Hinge RT58 03.626 - 9005**