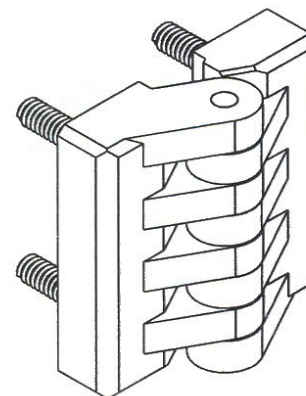
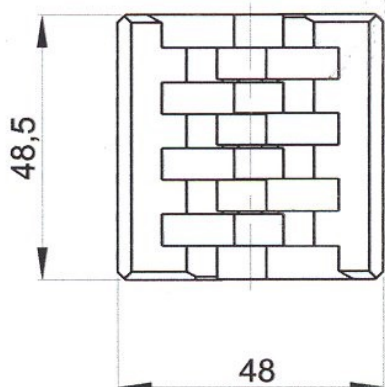
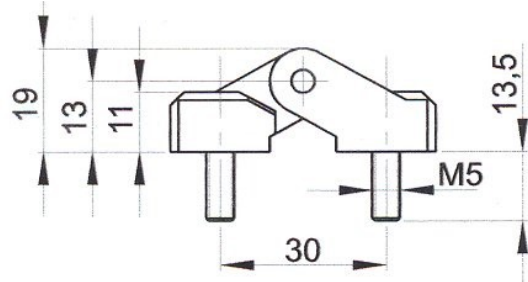
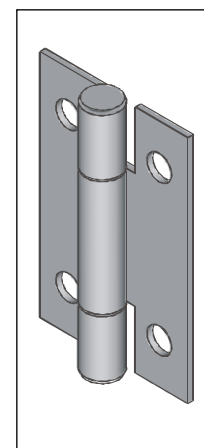
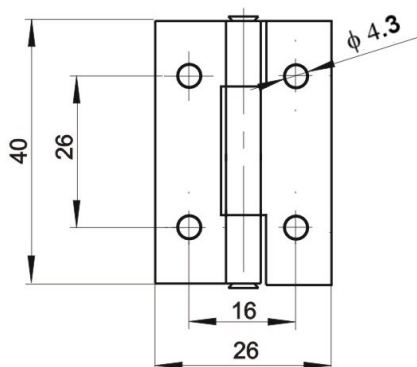
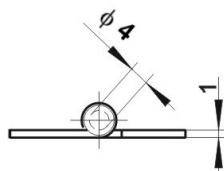


**RT 45** Cat.No. 03.550

**Material** : pin - stainless steel, body - PA  
RAL 9005

Order example of hinge RT45: **Hinge RT45 - 03.550**

**RT 46** Cat.No. 03.551

**Material** : steel, surface finish– zinc plated , stainless steel .

Order example of hinge RT46: **Hinge RT46 - 03.551**