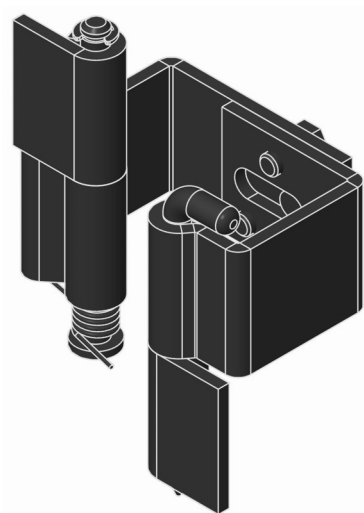
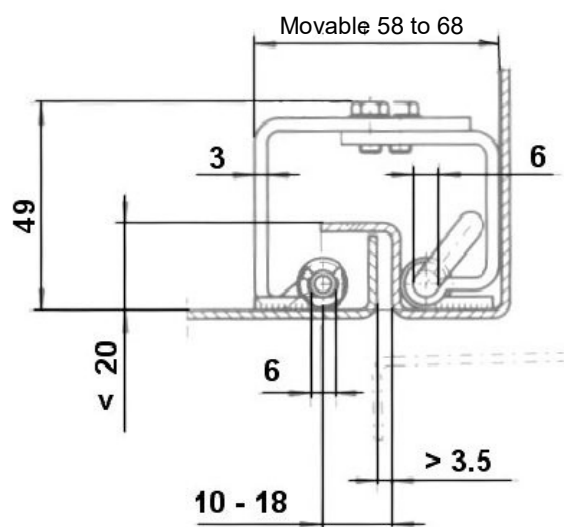
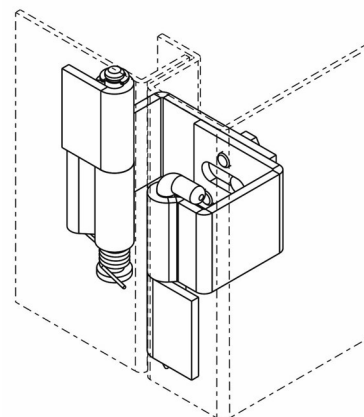
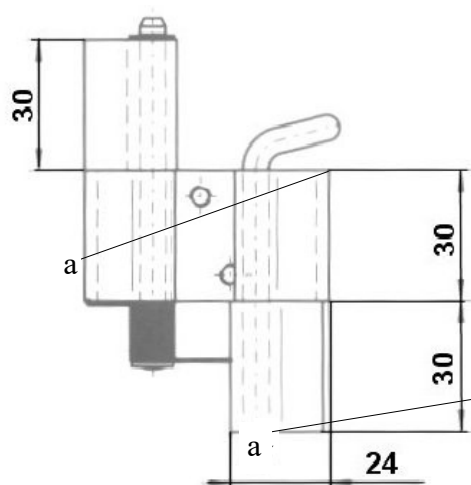


Kat.č 03.519



Range of turning - 180°

a - parts without surface finish

Material : steel , surface finish - zinc plated.Order example of hinge 9610: **Hinge 9610 - 03.519**