

Cat.No. 03.546

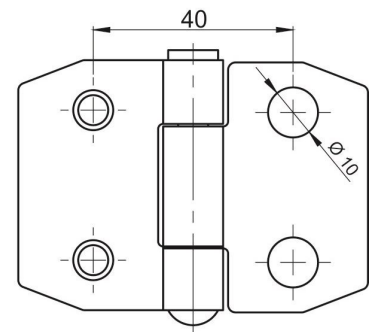
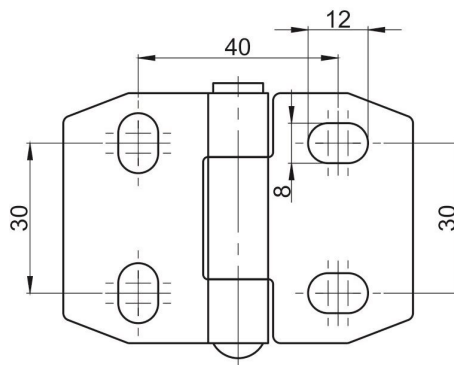
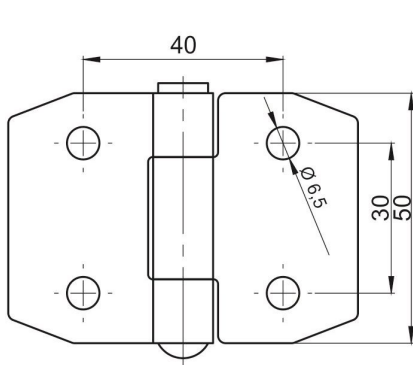
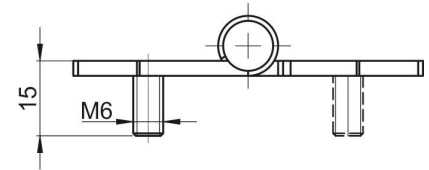
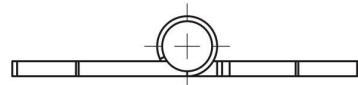
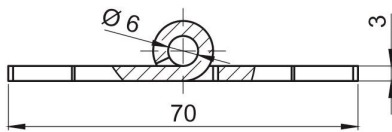
Cat.No. 03.312

Cat.No. 03.545 (without surface finish)

Cat.No. 03.546.002

Cat.No. 03.546.003

Cat.No. 03.546.004



Cat.No.	Version	Part of hinge	Material
03.546	4 x $\phi 6,5$	body of hinge	steel, zinc plated
		pin	stainless steel
03.312		body of hinge, pin	stainless steel
03.546.002	4x 8x12	body of hinge	steel, zinc plated
		pin	stainless steel
03.546.003	2x M6x15	body of hinge	steel, zinc plated
	2x $\phi 10$	pin	stainless steel
03.546.004	4x M6x15	body of hinge	steel, zinc plated
		pin	stainless steel

Order example of hinge St30: **Hinge St30 - 03.312**