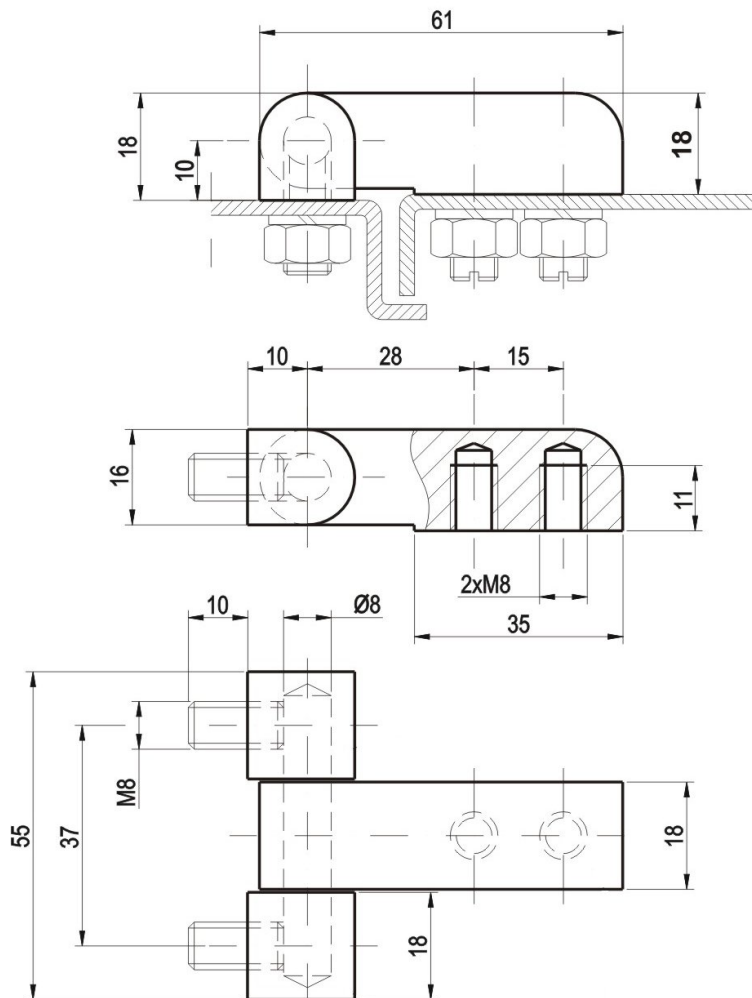
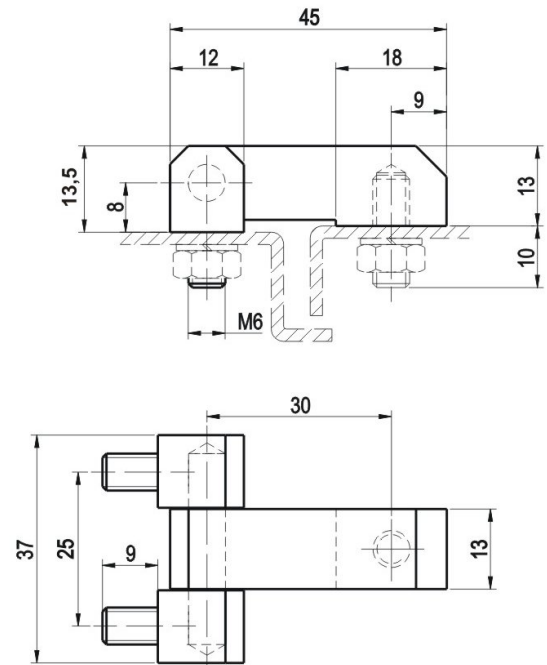


RT32
Cat.No. 03.197RT35
Cat.No. 03.301

Material : Hinge - brass (zinc plated)
Pin - steel (zinc plated)

Order example :

Hinge RT32 - 03.197