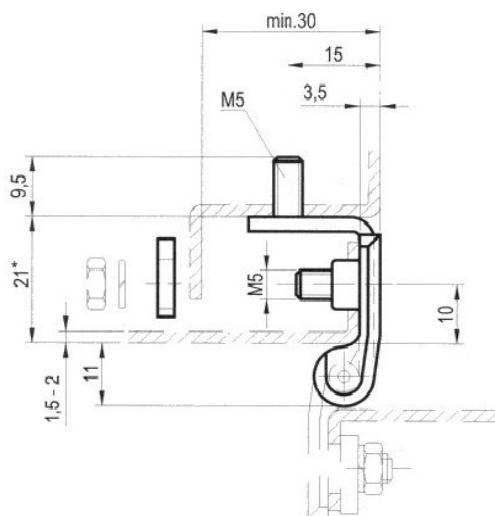
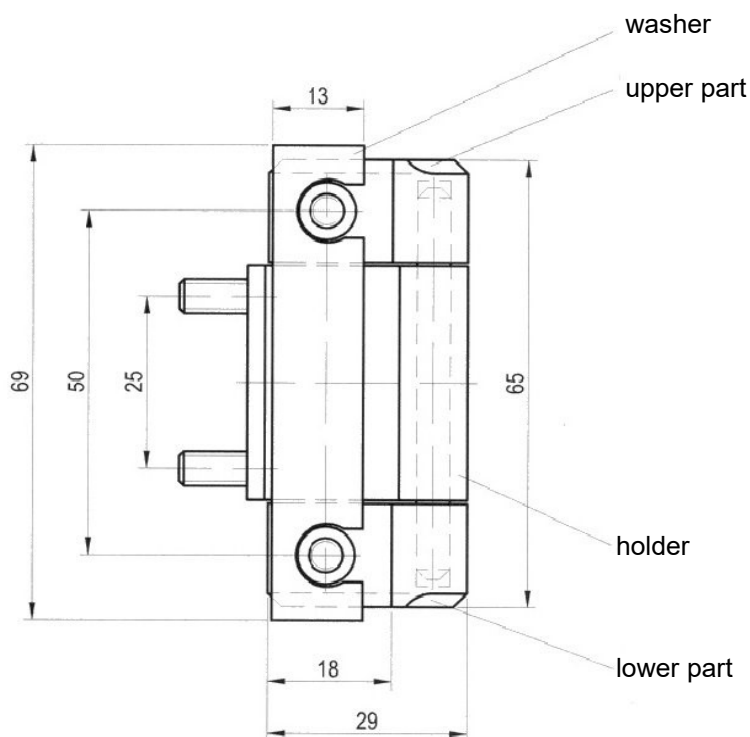
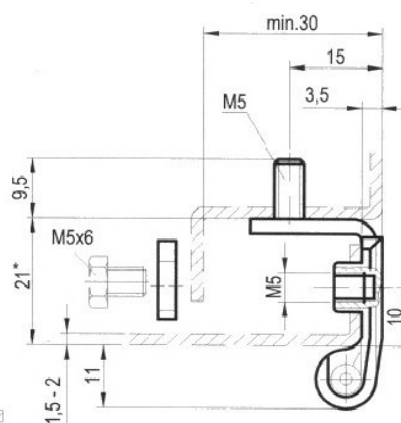


RT29  
Cat.No.: 03.193RT30  
Cat.No.: 03.194**Material :**

Upper part (lower) : alloy ZnAl , powder coating

( RAL 7035/gray; 7012/gray - dark; 9005/black )

holder : steel, powder coating ( RAL 7035/gray; 7012/gray - dark; 9005/black )

washer, pin : zinc plated

**Order example** of hinge RT29, powder coating ( RAL 9005 ) :**Hinge RT29 - 03.193/9005**