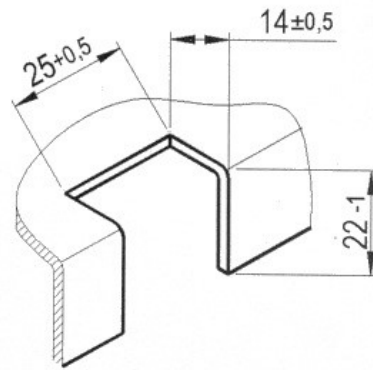
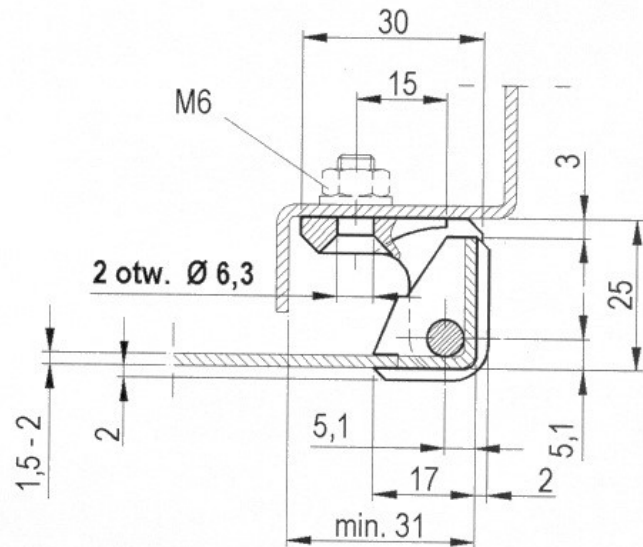
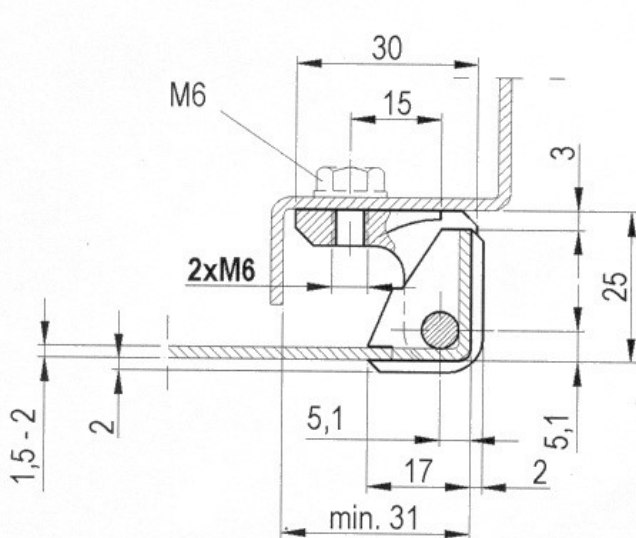


RT26/M6
Cat.No. 03.190



RT26/6
Cat.No. 03.195



Material : Hinge - Alloy ZnAl,
Powder coating (RAL 7035/gray; 7012/gray - dark; 9005/black)

pin - steel, zinc plated

Order example of hinge RT26/M6, powder coating (RAL 7012,) :

Hinge RT26/M6 - 03.190/7012