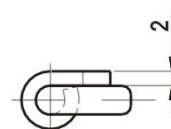
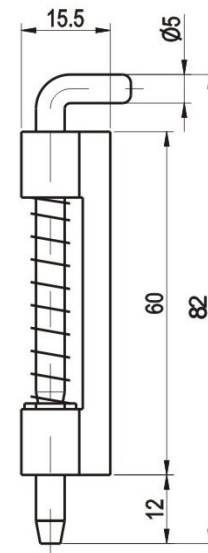
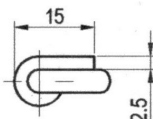
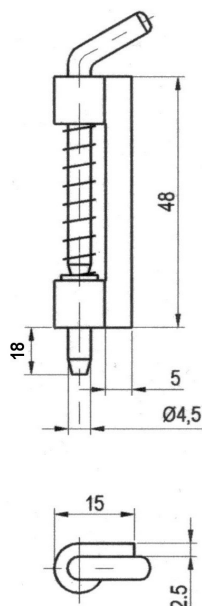
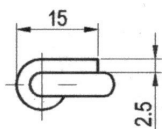
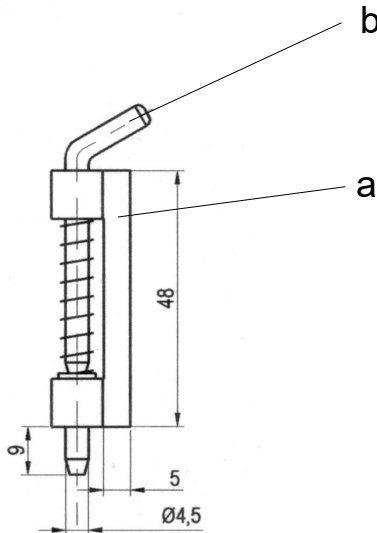
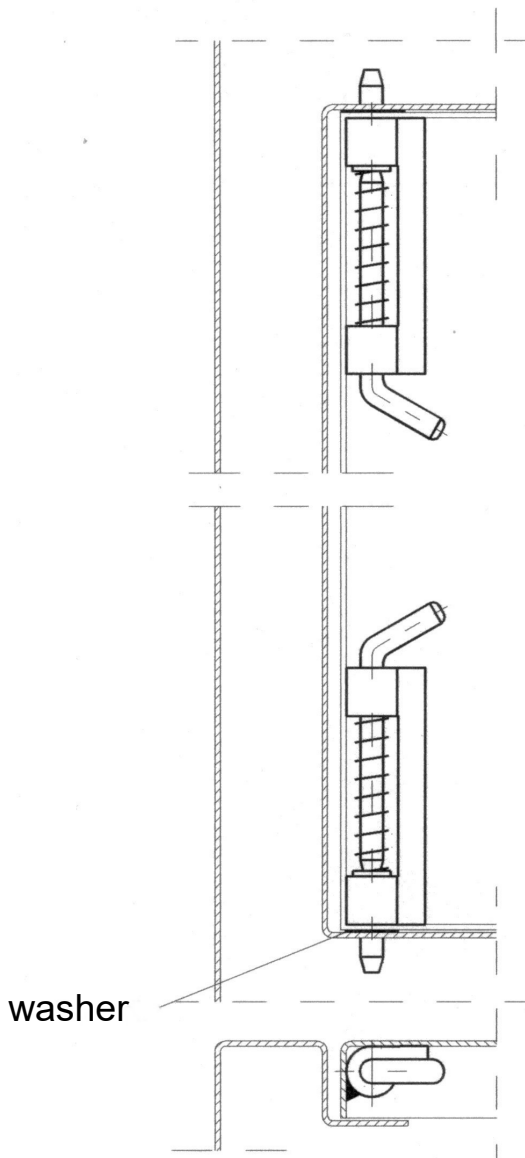
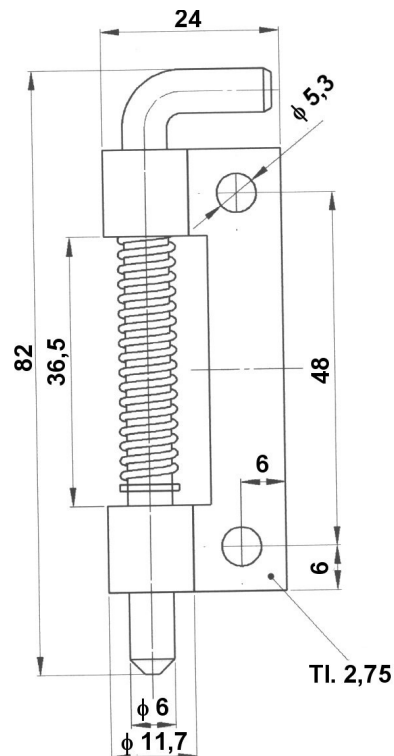


Hinge RT24
Cat.No. 03.188

Hinge RT24/60
Cat.No. 03.305



Hinge RT24/60-2
Cat.No. 03.311



Hinge 9611
Cat.No. 03.520

Material : Steel a - without surface finish
b - zinc plated
Hinge RT24 consist of two parts - upper and lower.

Order example : **Hinge RT24 - 03.188**