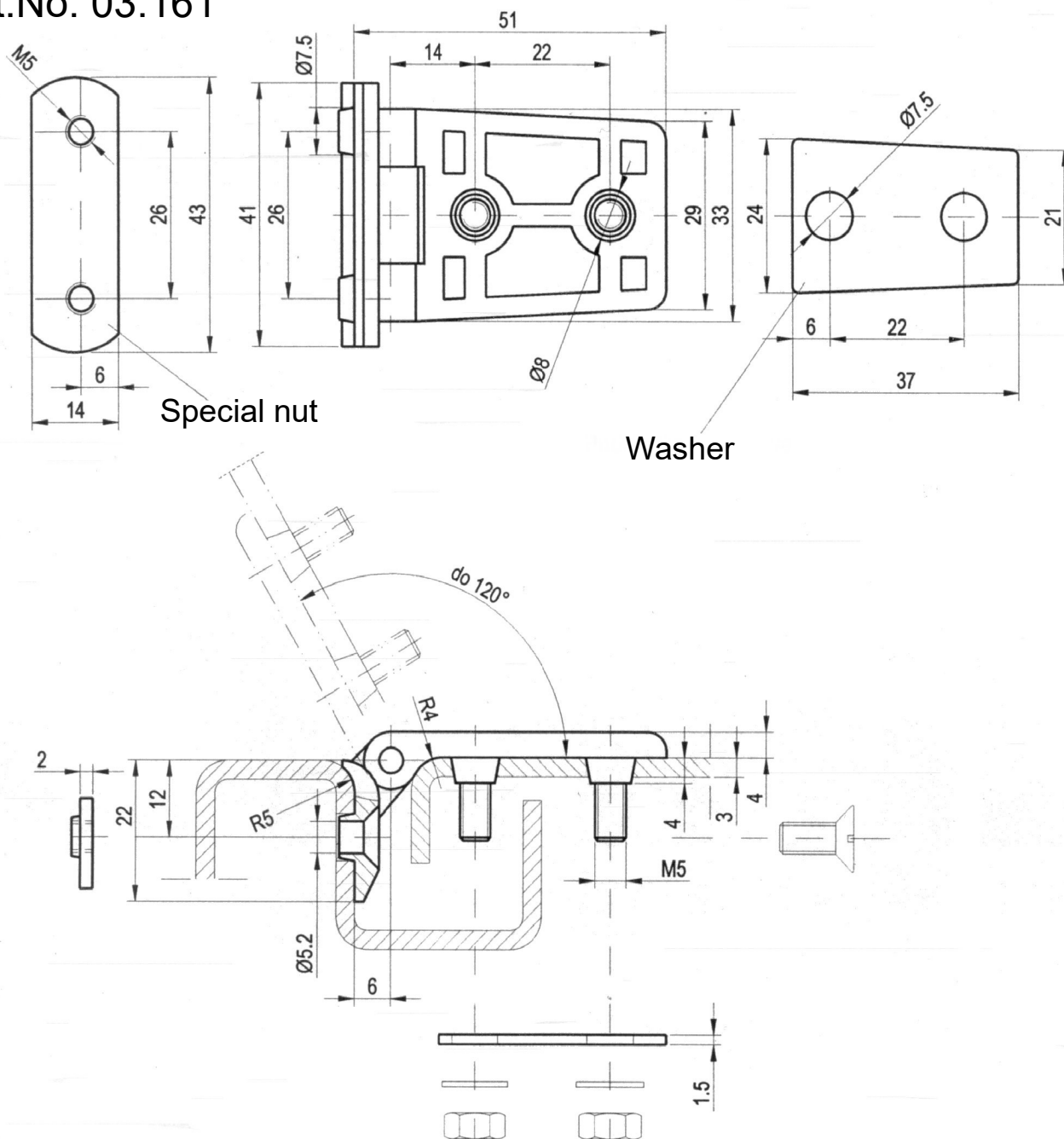


Cat.No. 03.161



Material : Hinge - Alloy ZnAl,
Powder coating (RAL 7035, 7012, 9005)

Washer, special nut - steel, zinc plated
Pin - steel, zinc plated

Order example : hinge RT2, powder coating (RAL 7012,)

Hinge RT2 - 03.161/7012