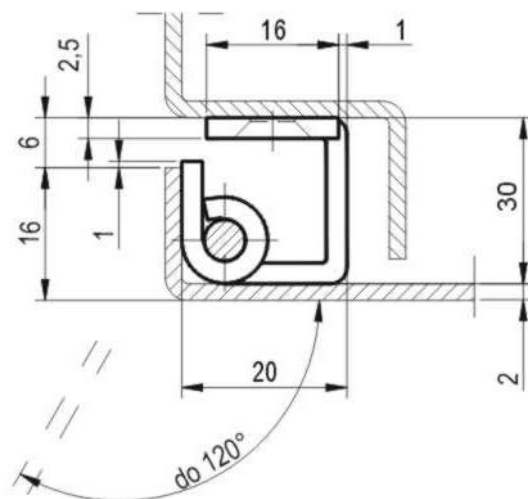
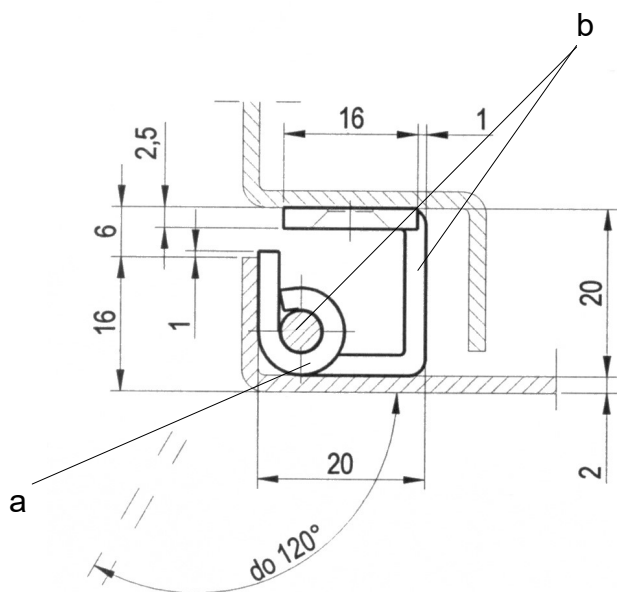
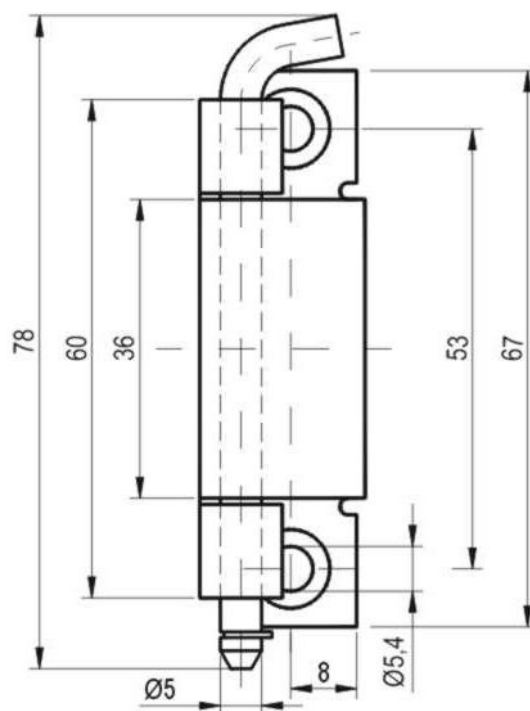
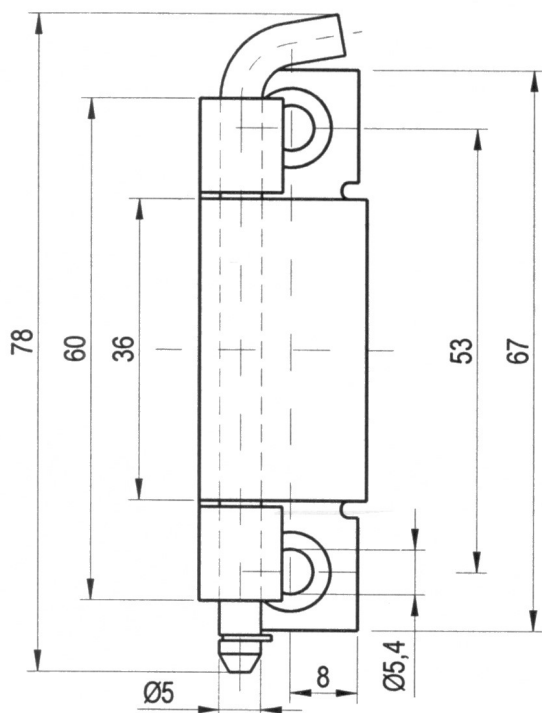


Hinge RT17 Cat.No. 03.181

Hinge RT17/30 Cat.No. 03.198



Material : Steel a - without surface finish
b - zinc plated

Stainless steel version - all parts are made of stainless steel

Order example : **Hinge RT17 - 03.181**