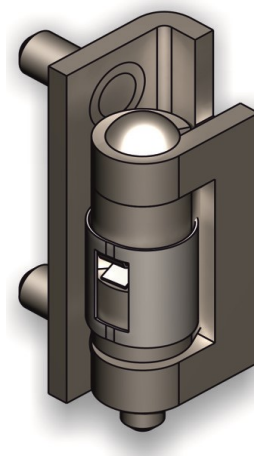
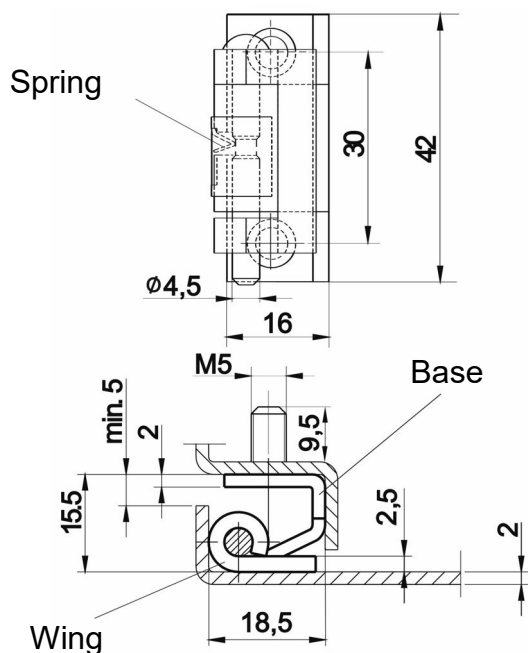


Hinge RT20-004

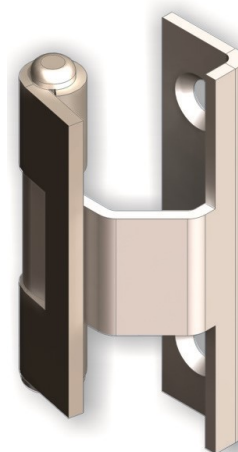
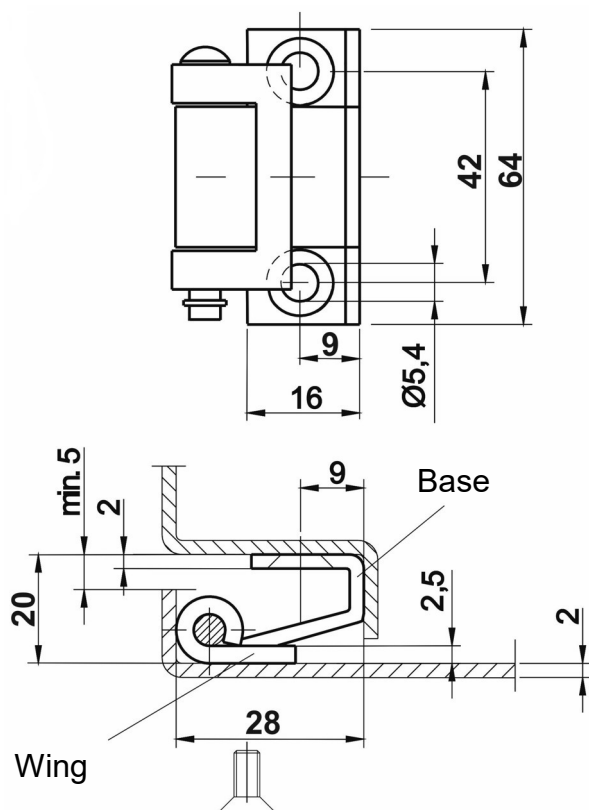
Cat.No. 03.1118



Material and surface finish : base + pin - steel, zinc plated
wing - steel
spring - steel 1.4301

Hinge RT20-006

Cat.No. 03.1119



Material and surface finish : base + pin - steel, zinc plated
wing - steel