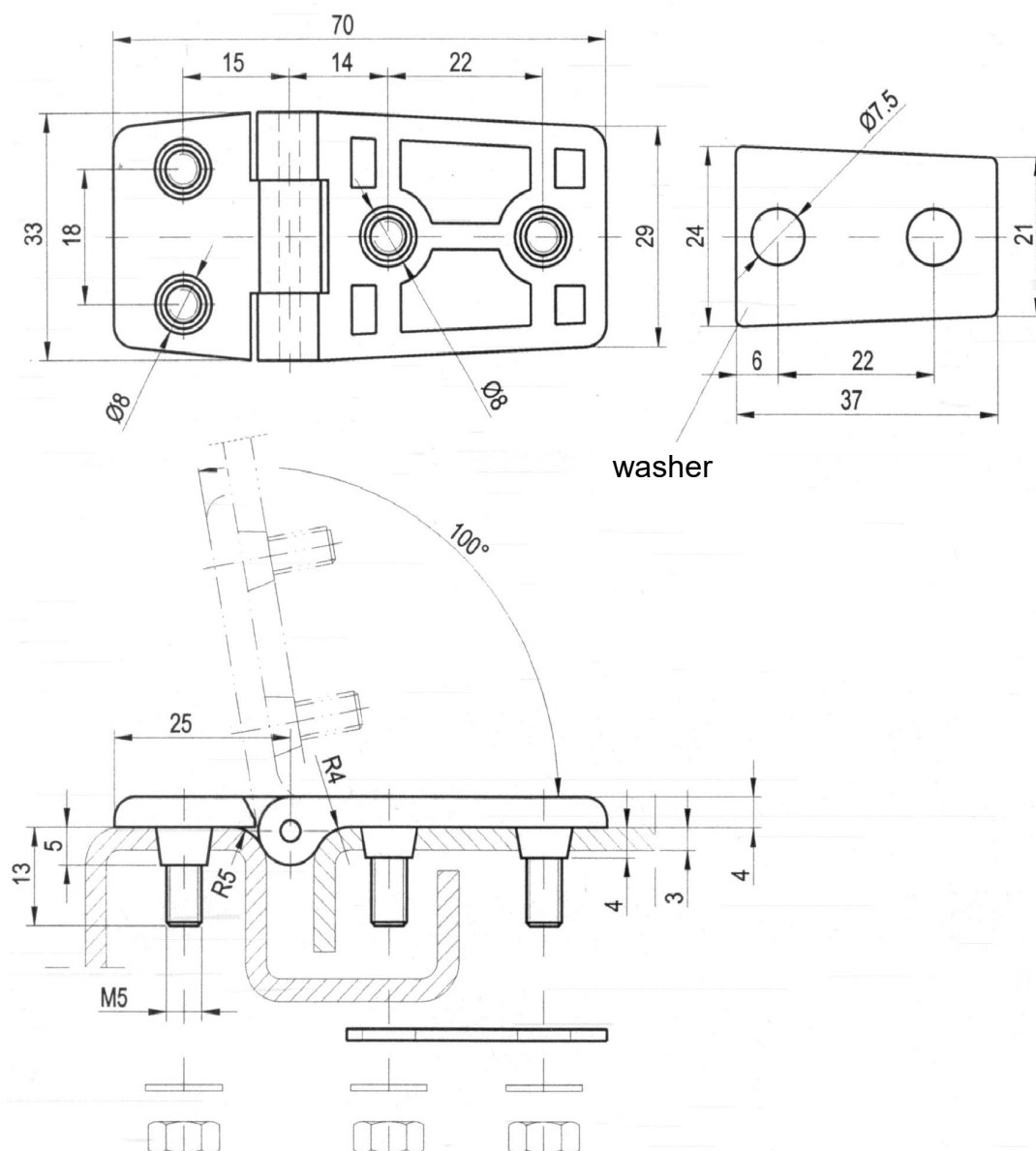


Cat.No. 03.160



washer

Material : Hinge - Alloy ZnAl,
Powder coating (RAL 7035/gray; 7012/dark gray; 9005/black)

Washer - steel, zinc plated

Order example of lock,colour - RAL 7035 :

Hinge RT1- 03.160/7035