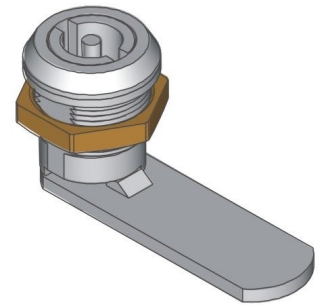
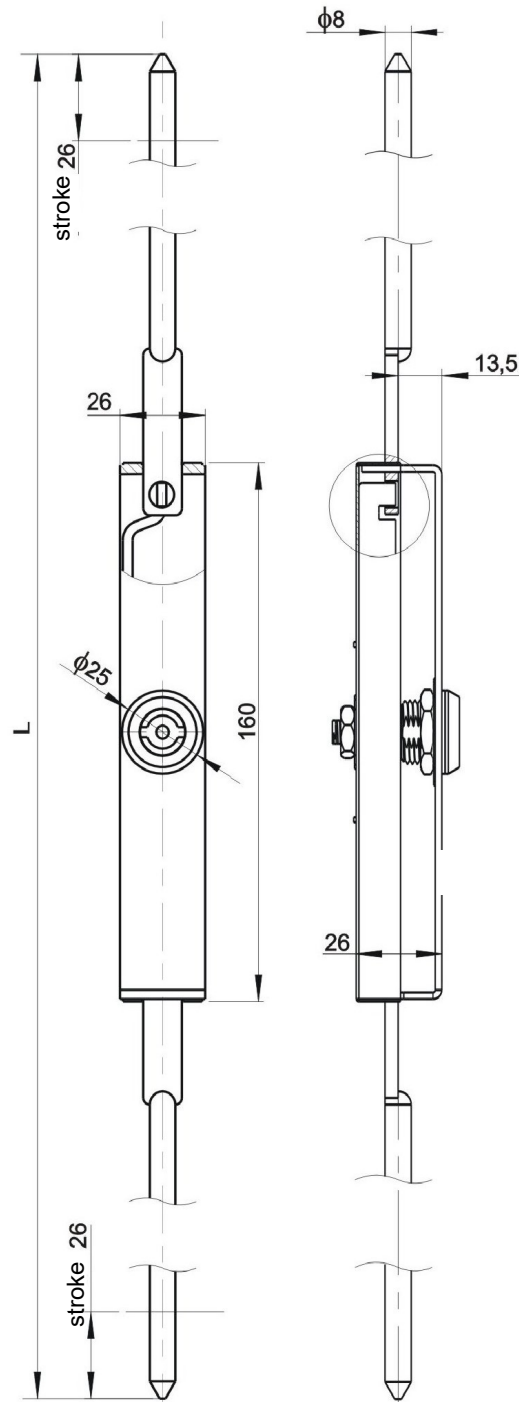
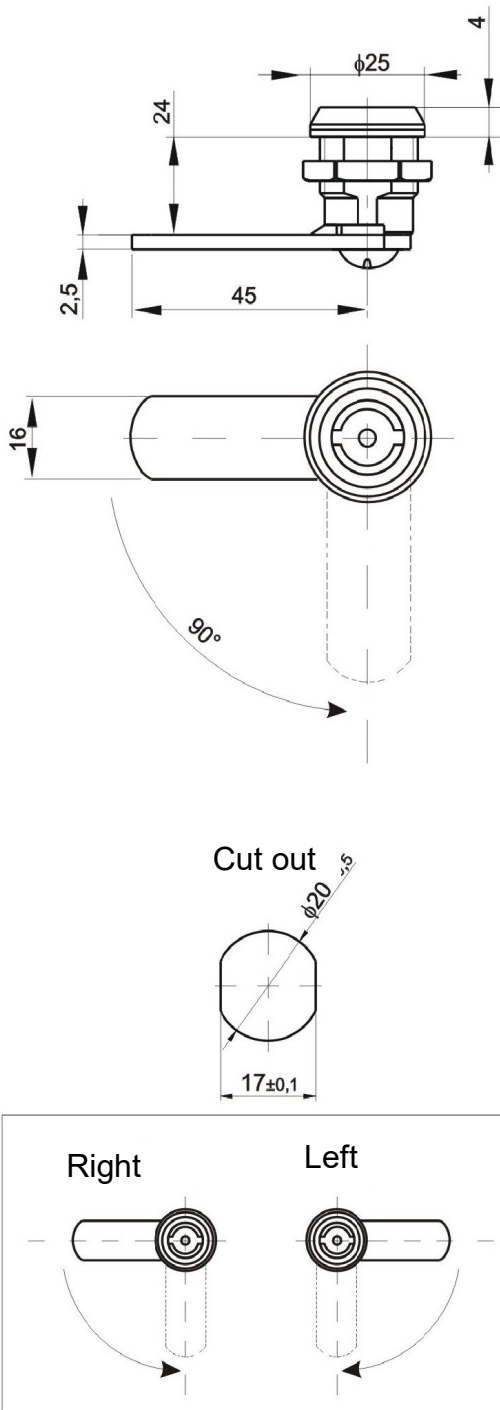


GE-0101 Cat.No. 03.615

GE-0100 Cat.No. 03.616



H = 24, 27, 30, 33
Shape of key : D3
Left: L , Right: P

Material: brass, chromium plated, cam - steel

Order example: H=24, left
Lock GE0101-03.615/24/L

Material: steel, zinc plated

Order example:
lock GE0100 - 03.616