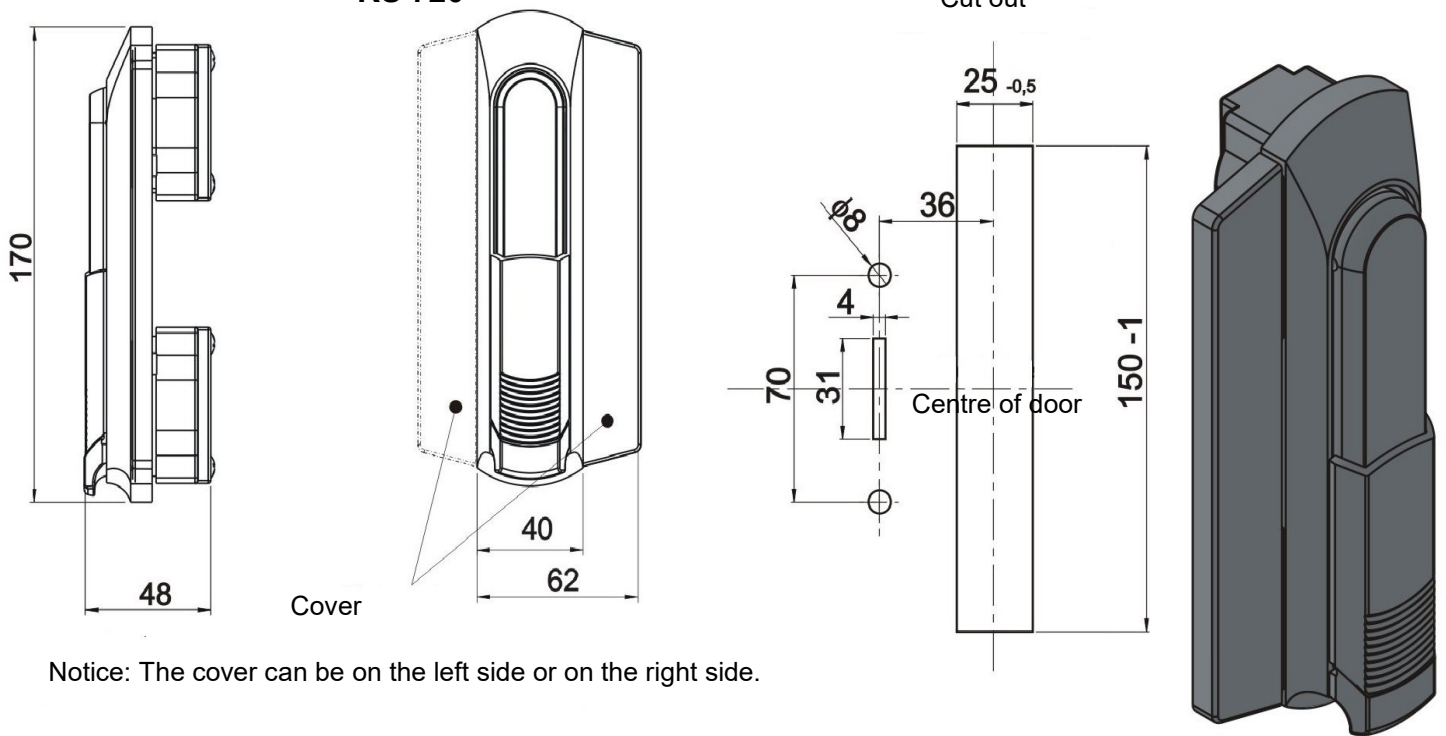


Cat.No. 03.614

RS 720



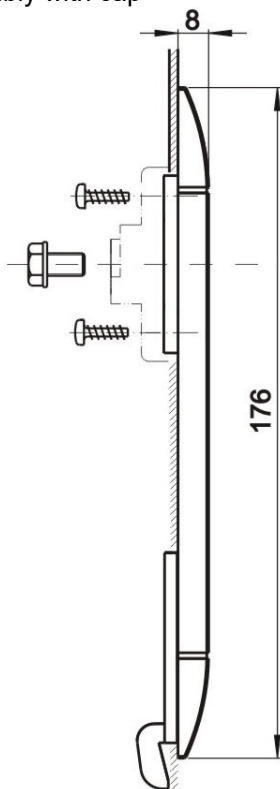
Notice: The cover can be on the left side or on the right side.

Material: PA6, RAL 9005 (black)

Order example: lock RS720 - 03.614

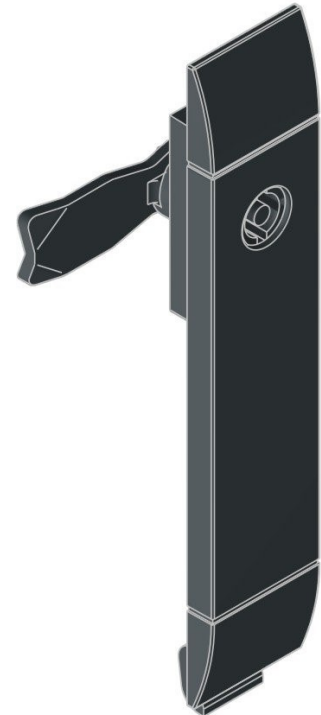
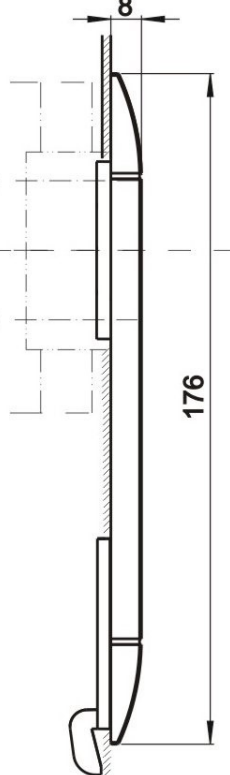
RW400/N Cat.No.

Assembly with cap



RW400/M Cat.No.

Assembly with mechanism



Material: PA6, RAL 9005 (black)

Order example: lock RW400/N - 03.612