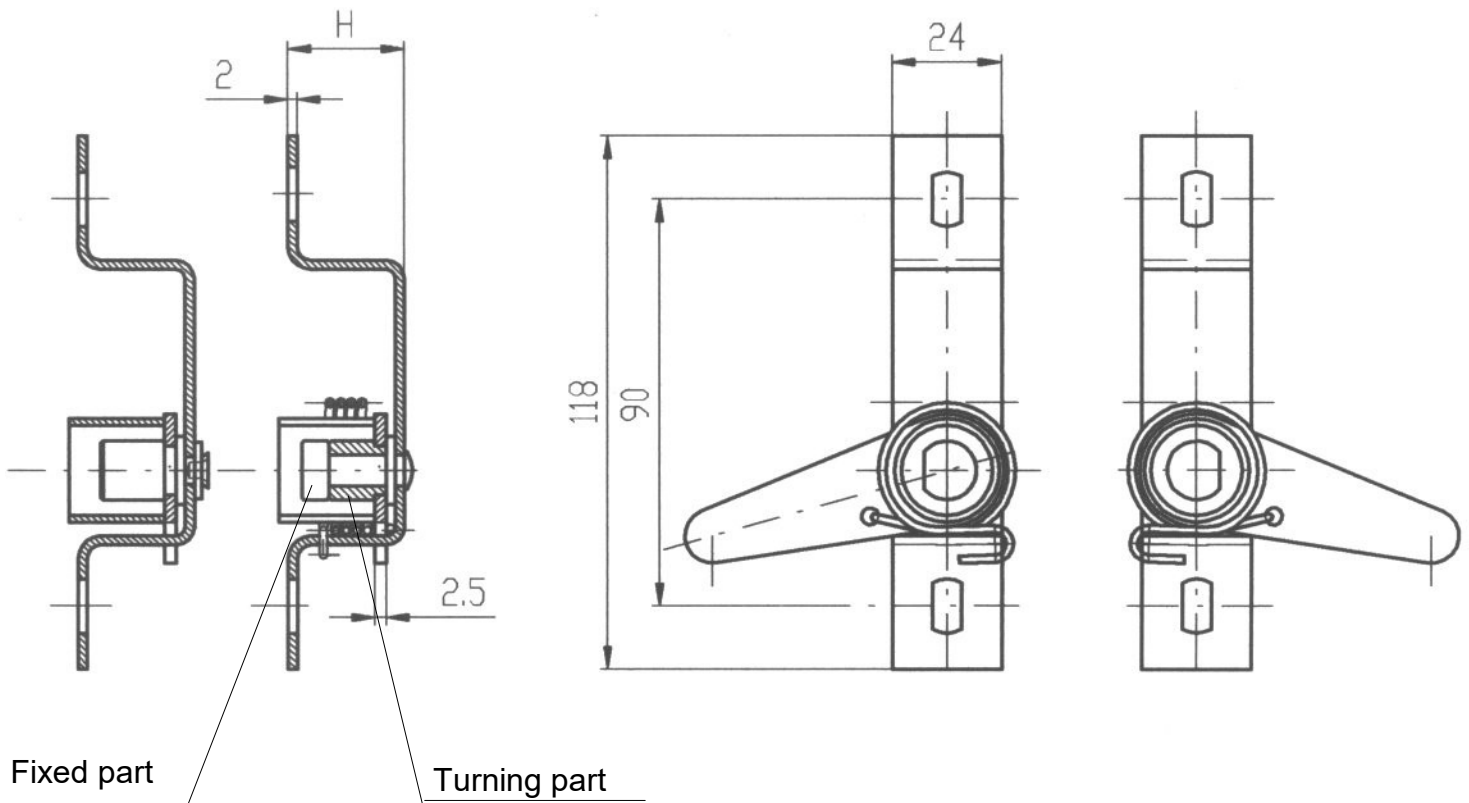


Insert 2 and 3  
UNDIVIDEDInsert 1  
DIVIDED

LEFT

RIGHT



Material:

Locks CZ are made of steel . Surface finish : zinc plated .

Serially produced

| VERSION | Cat. No. |
|---------|----------|
| 23 322  | 01.196   |
| 12 111  | 01.197   |
| 12 222  | 01.198   |
| 13 111  | 01.199   |
| 13 321  | 01.200   |
| 17 321  | 01.201   |
| 21 111  | 01.202   |
| 21 221  | 01.203   |
| 23 111  | 01.204   |
| 23 112  | 01.205   |
| 23 321  | 01.206   |
| 26 112  | 01.207   |
| 28 111  | 01.209   |
| 35 321  | 01.211   |
| 29 221  | 01.214   |
| 29 321  | 01.215   |
| 26 111  | 01.216   |

Scheme of the version number: **xx xxx**

Version of holder

Cam

Insert

Right / Left

Spring yes/no

Meaning of the specific number - see chart on page 4-70

**Order example** : lock CZ in version ( holder No. 2, Cam No.1  
Insert No.1 divided, with spring, version - left)  
This is version 21 111.

**Lock CZ 01.202**

It is possible to produce different . ( After an agreement . )