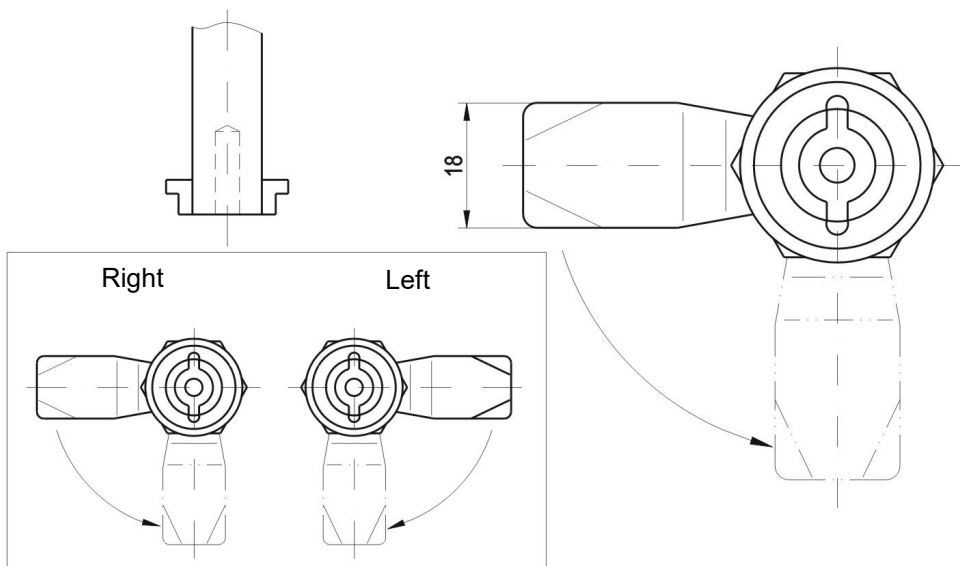


Key D3/S

**Material :**

Body : brass, chrome plating
stainless steel

Insert : brass, chrome plating
stainless steel

Shape of key - doppelbart 3

Cam : brass, chrome plating
stainless steel

Type	Cat.No.	H		
Z7	03.135	28	31	34

For lock Z7 can be used special key D3/S which makes it impossible to pull out of Z7 lock by turning to position „open“.

Order example of lock Z7 with dimension H = 31, right (P) : **Lock Z7 - 03.135/31/P**
Made of stainless steel : **Lock Z7 - 03.135/31/P – stainless**