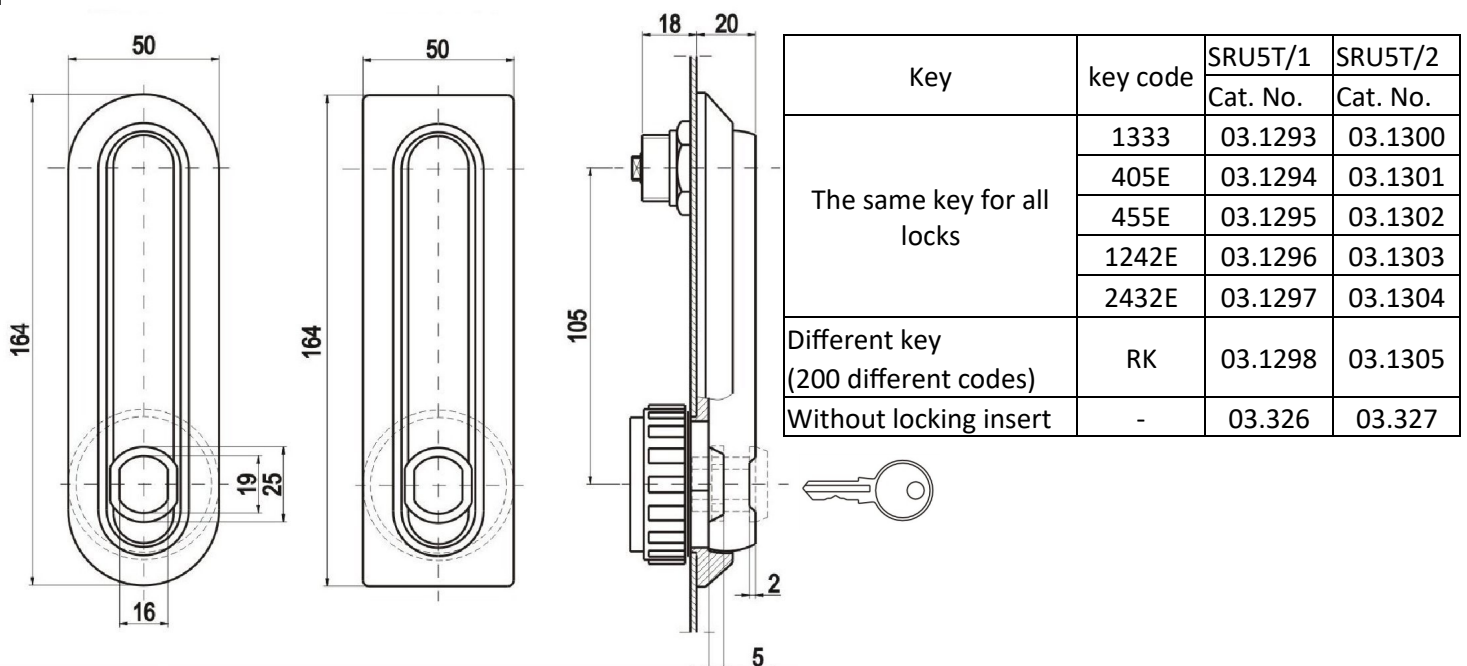


SRU5T/1

SRU5T/2

Lock SRU5T



LOCK **SRU5U** can be locked by the additional padlock too.

Material: PA, colour RAL : 7035/gray, 9005/black

Ear of lock..... Stainless steel

Order example of lock Cat.No. 03.003 , colour RAL 9005:

Lockk 03.003 /9005