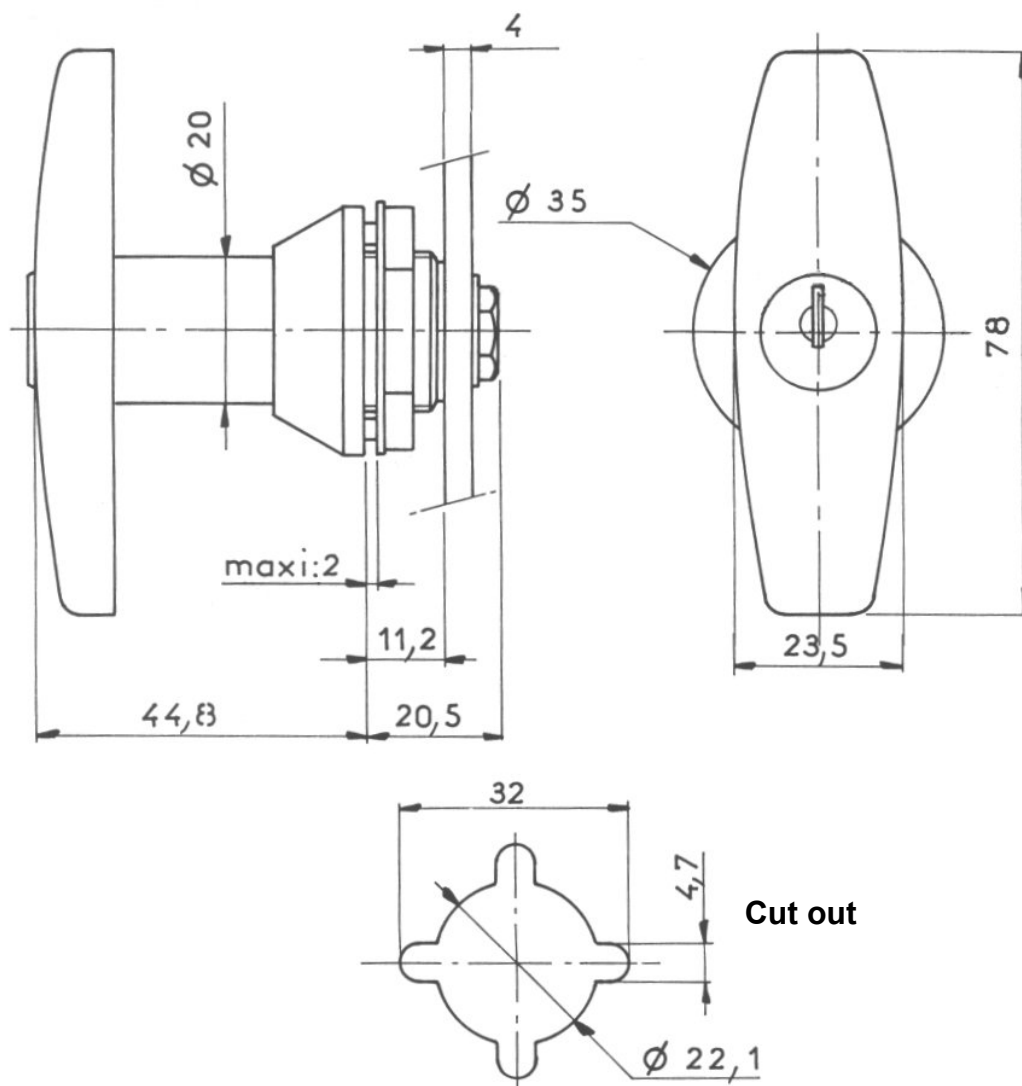


Cat.No. 09.005

**Material:**

Body - Al allopy , chromium plating,

Cam - steel, zinc plated

Order example : **Lock Z21 - 09.005**