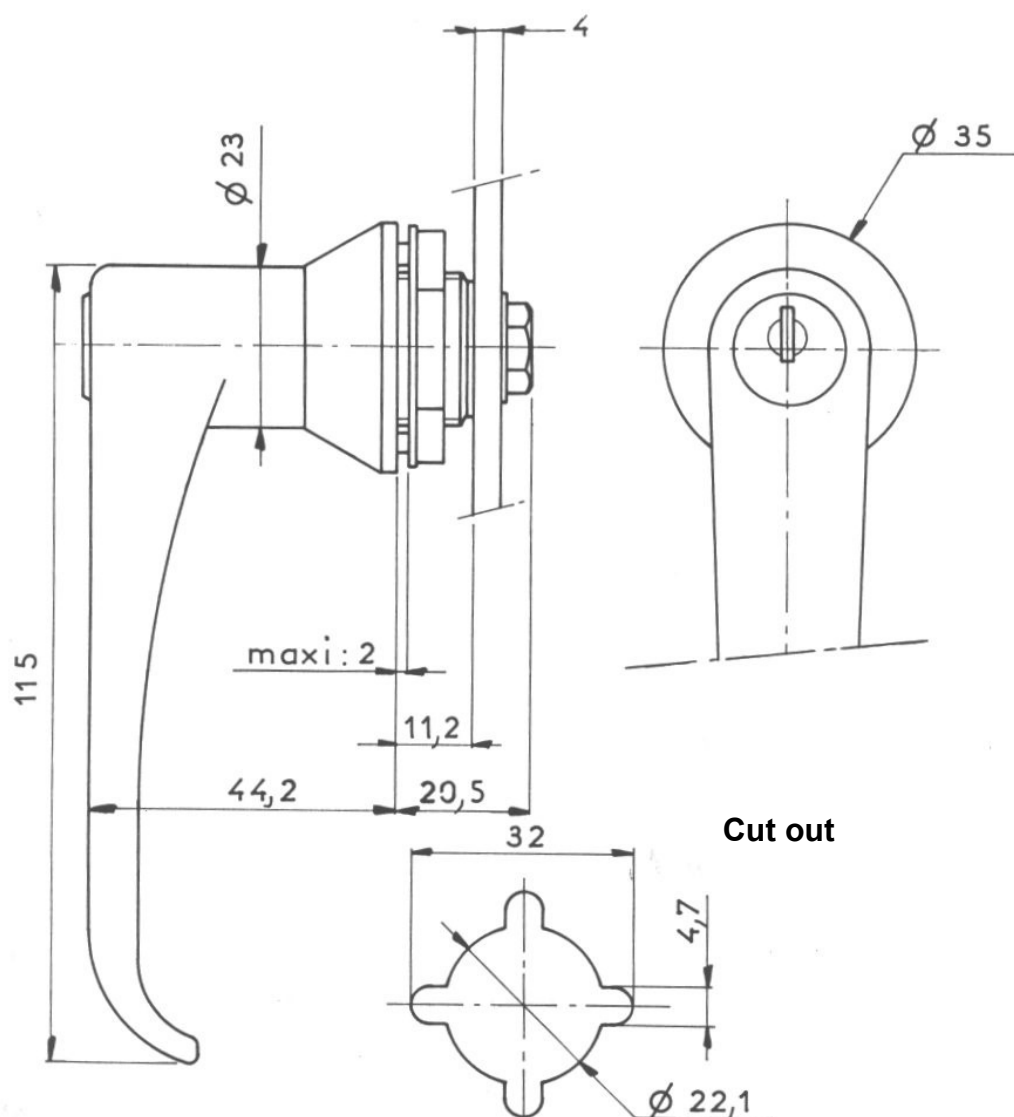


Cat.No. 09.004

**Material:**

Body - Al alloy , chromium plating,

Cam - steel, zinc plated

Order example : **Lock Z20 - 09.004**