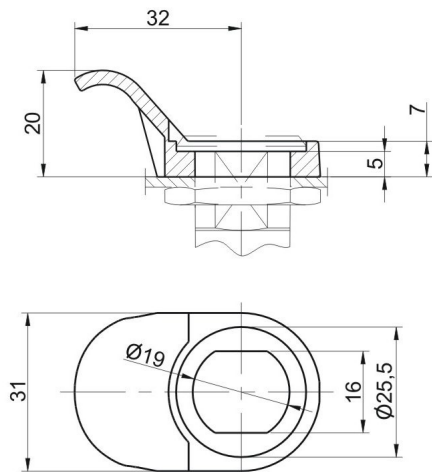
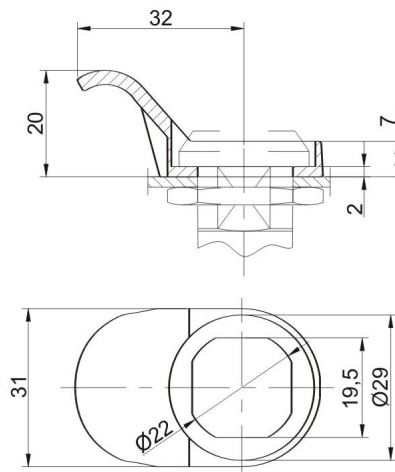


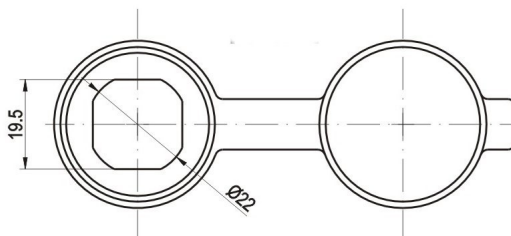
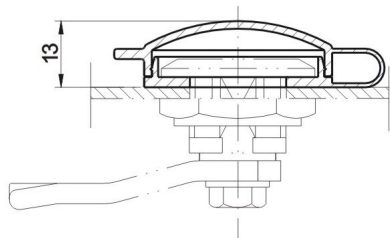
Cat.No.03.44



Cat.No.03.44

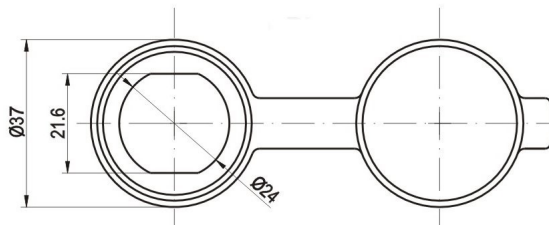


## Finger pull RT

**Material :** PA6.**Colour:** RAL 7035, 9005**Order example:**  
Finger pull RT 03.445

## Dust cover RT

Cat.No.03.44



Cat.No.03.44

**Material :**PA6**Colour :** RAL 7035, 9005**Order example :** Dust cover RT 03.447