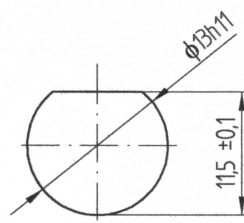
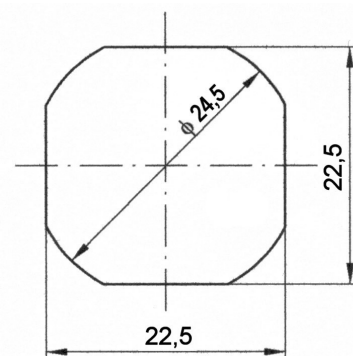


Shape of key



Cut out



Cat.No.	Cam Cat.No.	H	L
01.150	01.070	28	34
01.151	01.071	33	45
01.152	01.072	28	47

Drawing of key - page 3-19

Material :

Body : alloy ZnAl, zinc plated

Insert : steel, zinc plated

Cam : steel, zinc plated

Order example of lock ALMAT 2 with cam 01.070 :

Lock ALMAT 2 01.150