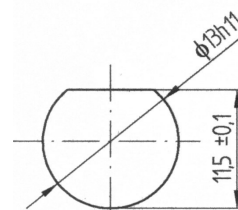
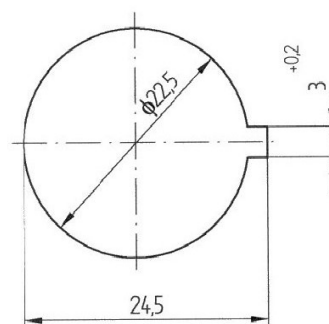


Shape of key



Cut out



Cat.No.	Cam Cat.No.	H	L
01.115	01.060	24	49
01.116	01.061	24	34
01.117	01.062	30	33
01.118	01.063	30	47

Drawing of cam - page 3-16

**Material :**

Body : steel, zinc plated

Insert : steel, zinc plated

Cam : steel, zinc plated

**Order example** of lock Fe with cam 01.060 :

**Lock Fe 01.115**