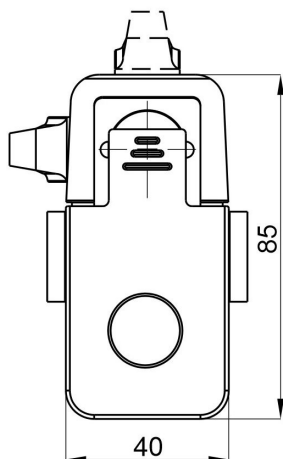


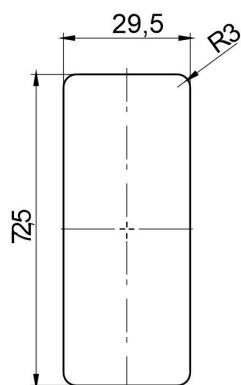
Without cylinder



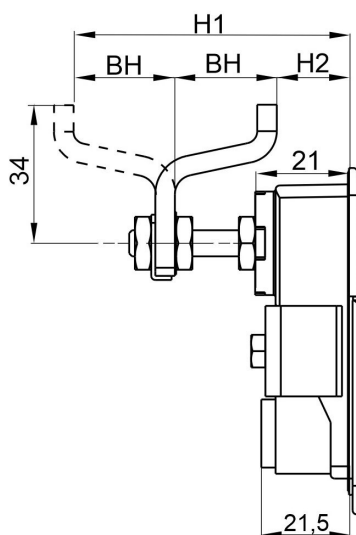
For screwdriver



Movement



Cut out



Typ	RAL 9005	Cr	H2	H1
Without cylinder	03.1080	03.1081	6-16	56-66
	03.1082	03.1083	16-26	46-56
	03.1084	03.1085	26-36	56-46
For screwdriver	03.1092	03.1093	6-16	56-66
	03.1094	03.1095	16-26	46-56
	03.1096	03.1097	26-36	56-46