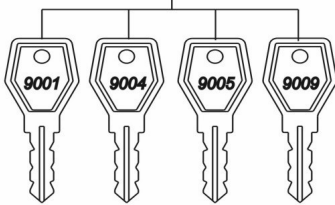
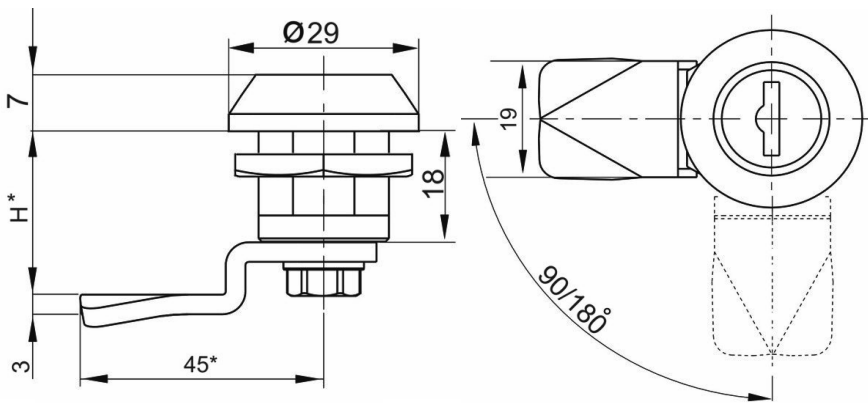


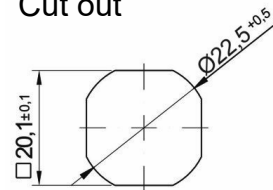
Lock Z44

Cat.No. 03.1068



Code of key: 9001, 9004, 9005, 9009

Cut out

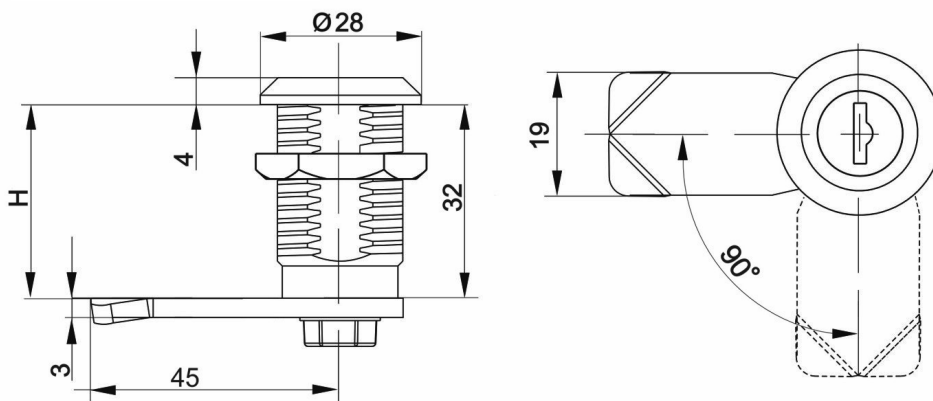


Lock Z45

Cat.No. 03.1069

Lock Z45P

Cat.No. 03.1134



Code of key: 1333, 1242E, 2342E, 405E

	Component	Material/surface finish	H
Lock Z44	Body	Alloy ZnAl / Ni, Cr, powder coating RAL 7035, 7012, 9005	18, 21, 24, 28, 32, 35
Lock Z45	Cam	ocel/ galv. Zn	
Lock Z45P	Body	polyamid	

Order example :

**Lock Z45 03.1069**

**L i d o k o v, výrobní družstvo, Dřevařská 5, 68016 Boskovice**

http:// www.lidokov.cz, e-mail : info@lidokov.cz, tel: +420 516 452341, fax.: +420 516 452570