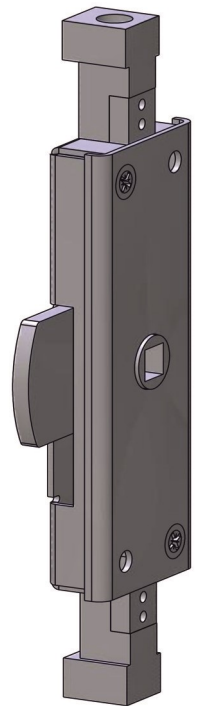
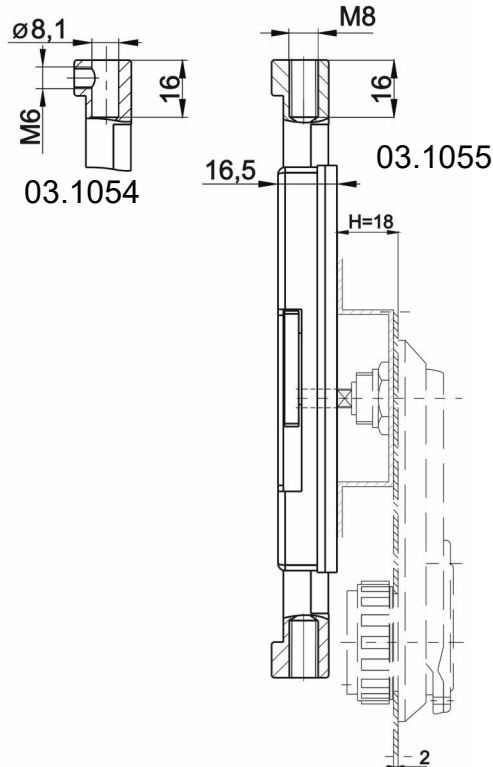
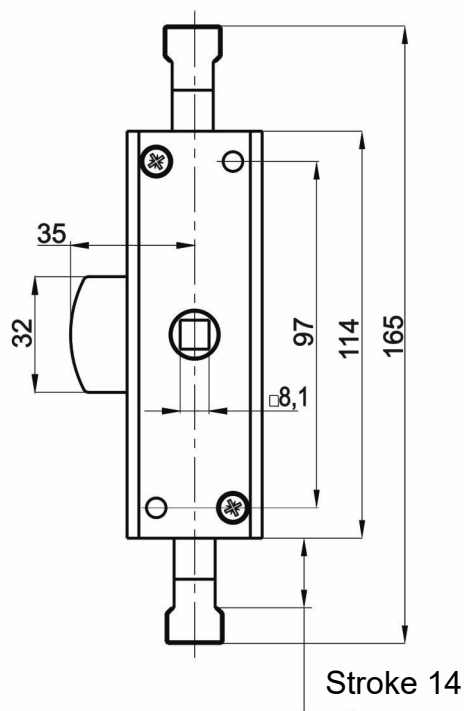


Product	type	Cat.No.
Lock Z37	with cam	03.1052
	with mechanism	03.1053

Standard mounting hole 25x110
possibility to make mounting hole 25x100



Product	Version	Material	Cat.No.
Z38 right	Z38 - hole $\varnothing 8$	Ocel - zinkováno	03.1054
	Z38 - threaded hole M8		03.1055
Z38 left	Z38 - hole $\varnothing 8$		03.1056
	Z38 - threaded hole M8		03.1057

Lock Z38 works with handle SRU21 (page 4-79) and with handle SRU5 (page 4-56) .

When you order, always specify dimension H, Hmin = 18 mm