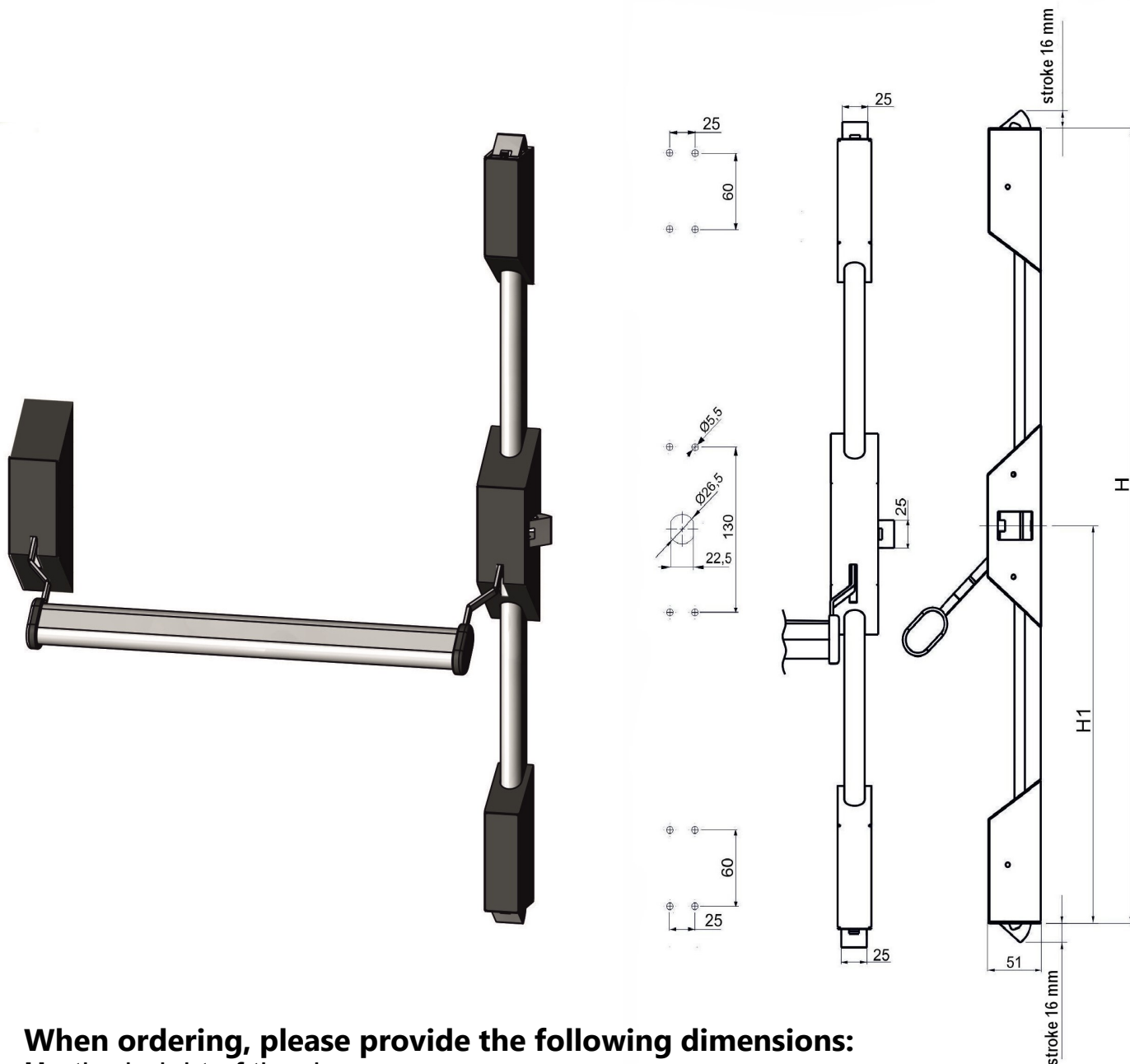


Cat.No. 03.1046



**When ordering, please provide the following dimensions:**

**H** - the height of the door

**H1** - the height from the center point of the door lock to the bottom edge of the door

Minimum thickness of the door is 23,5 mm

Order example :

**Self-locking antipanic lock 03.1046**