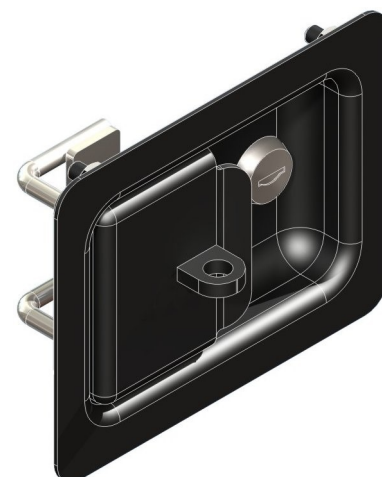
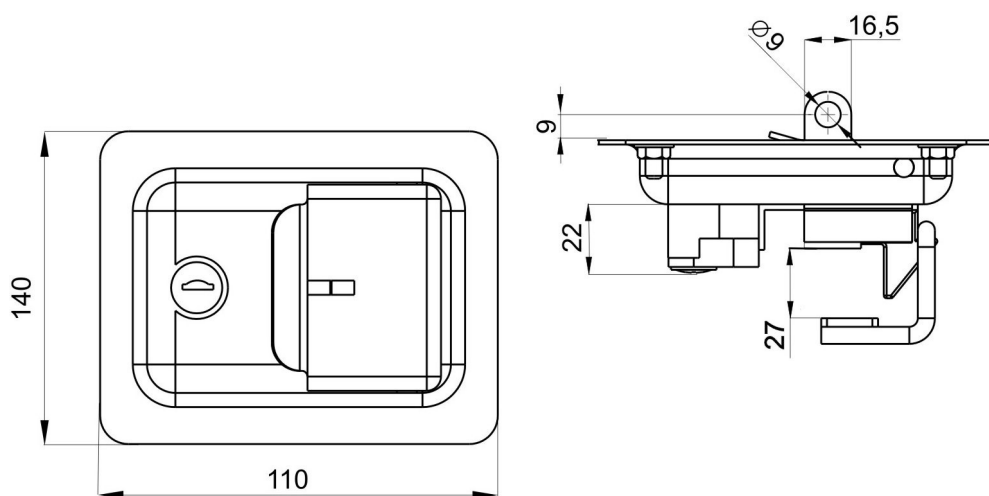
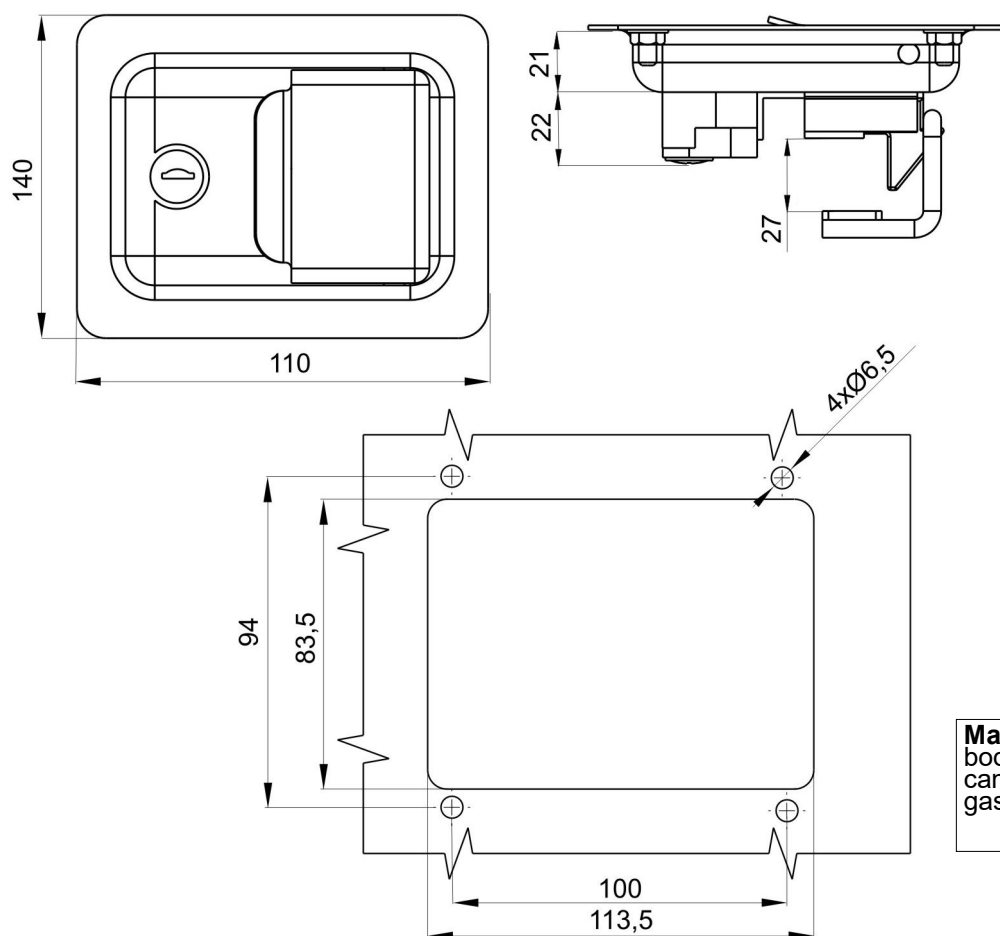


Lock ZT3 Cat.No. 03.1000



Lock ZT4 Cat.No. 03.1001



Material:
body, - steel, RAL 9005
cam - alloy ZnAl
gasket - elastomer

Order example of lock **ZT3** :
Lock ZT3 03.1000