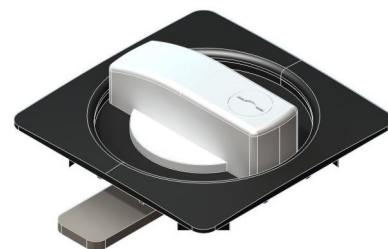
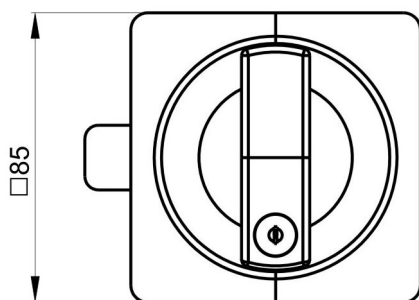
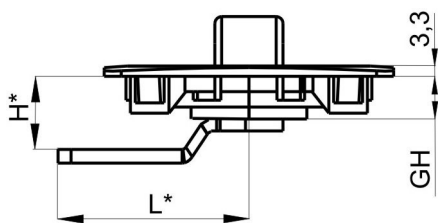
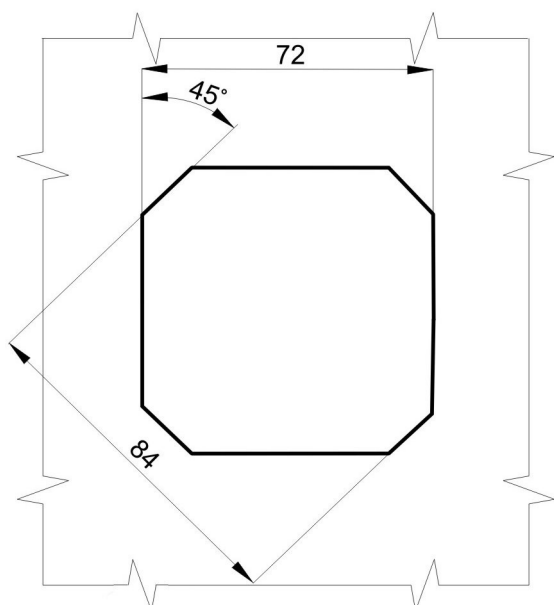


Lock Z35 Cat.No. 03.998



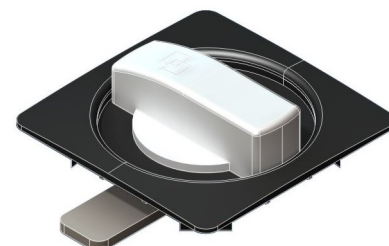
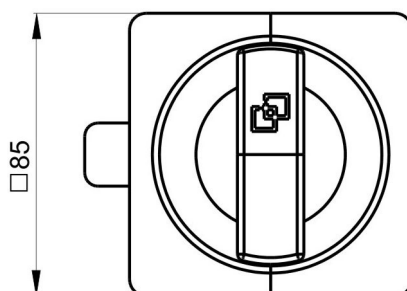
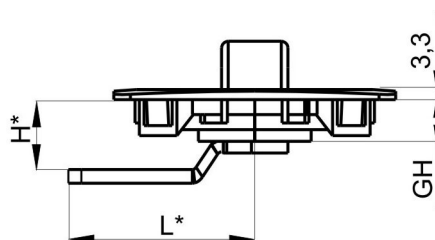
Cut out



	Cam 1 point	Cam 2 point	Cam 3 point
H	GH=12,5	GH=12,5	GH=12,5
2	601	621	631
3,5	602	622	632
6,5	603	623	633
9,5	604	624	634
12,5	605	625	635
15,5	606	626	636
18,5	607	627	637
21,5	608	628	638

Material:
body - Polyamid PA6
cam - ocel, galvanický Zn, polyamid
insert - alloy ZnAl, polyamid

Lock Z36 Cat.No. 03.999



Symbol * indicates the possibility of dimension changes

Order example of lock **Z36**, 3point cam - H=18,5:
Lock Z33 03.999 / 637