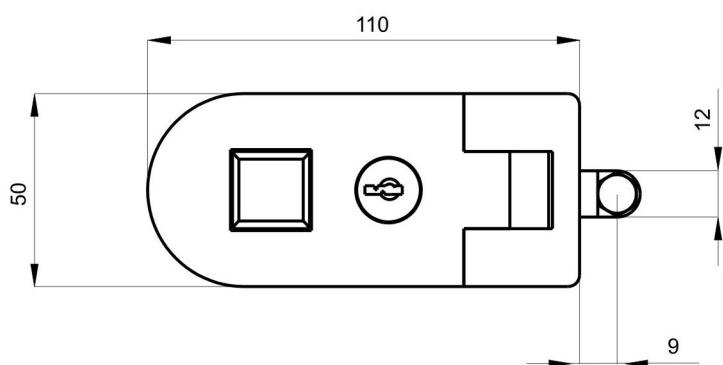
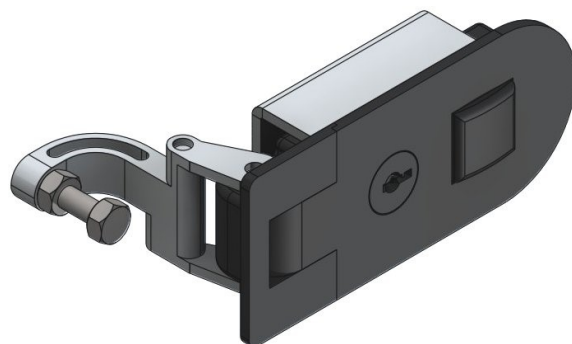
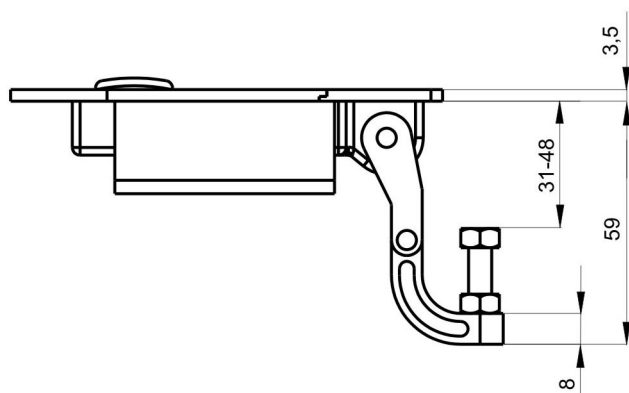
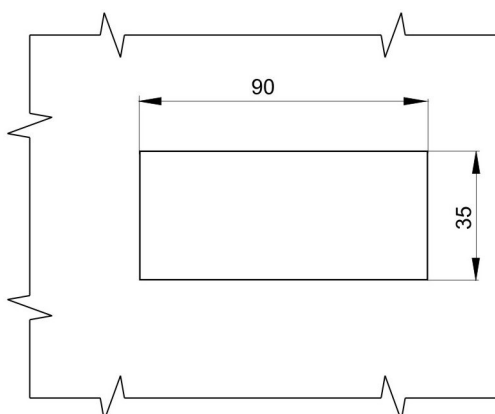


Cat.No. 03.978



Cut out



Material:
body - alloy ZnAl, RAL 9005
cam - alloy ZnAl,- zinc plated

Order example of lock **Z25:**
Lock Z25 03.978