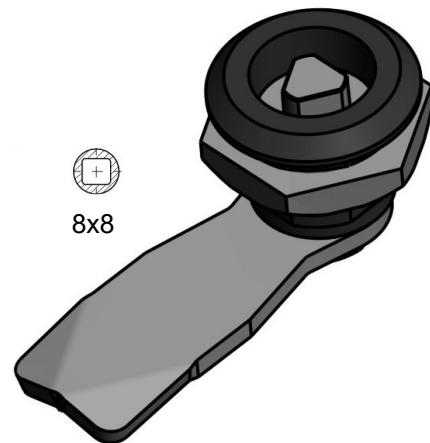
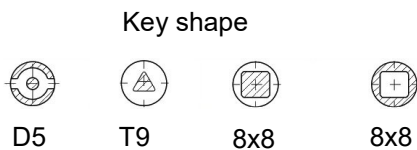
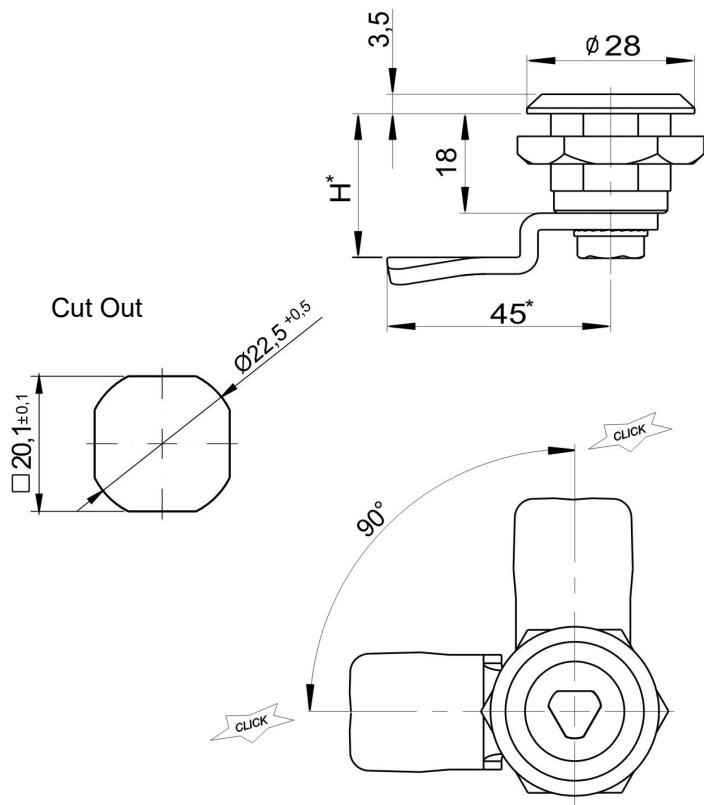


Z31 Cat.No.03.993

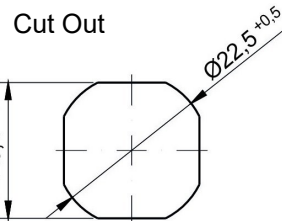
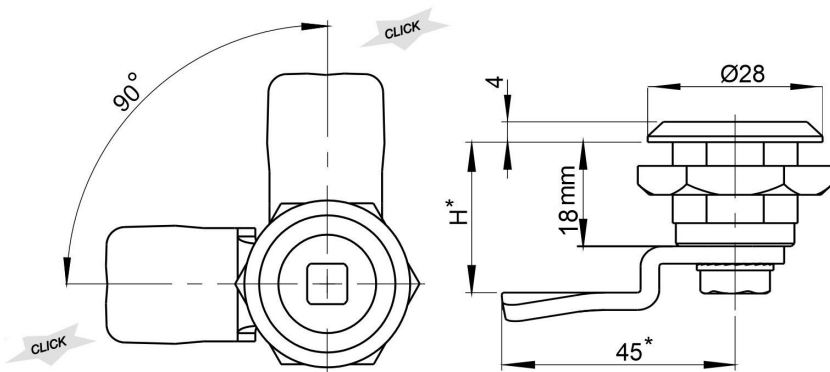


Comments: Opening and closing the lock signals sound effect

Material:
body - Polyamid, RAL 9005, 7035,
cam - steel - zinc plated
insert - ZAMAK5, RAL 9005, 7035, chrome, nickel

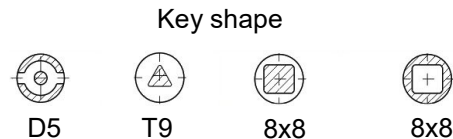
H: 18, 21, 24, 29

Z31-1 Cat.No.03.1363



Material:
body - ZAMAK5, RAL 9005, 7035, chrome
cam - steel - zinc plated
insert - ZAMAK5, RAL 9005, 7035, chrome

Comments: Opening and closing the lock signals sound effect



* possibility to make an another dimension

Order example of lock **Z31**:
Lock Z31 03.991 / Key shape / body-surface finish/ H
Lock Z31 03.993 / T9/ 9005 / 18