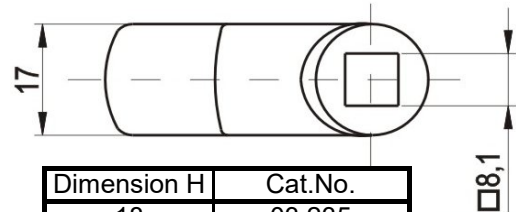
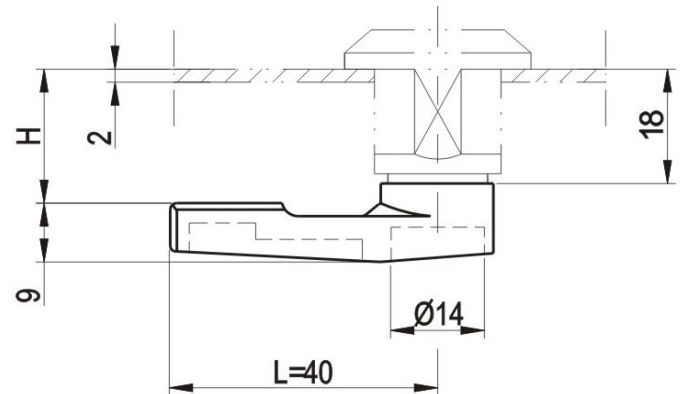


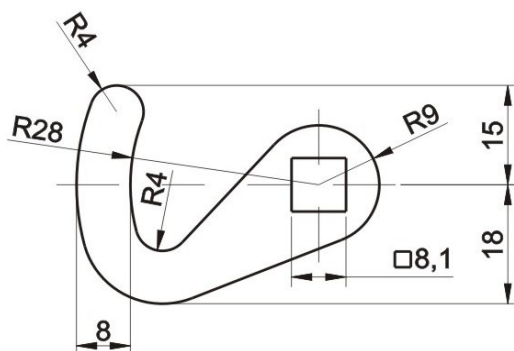
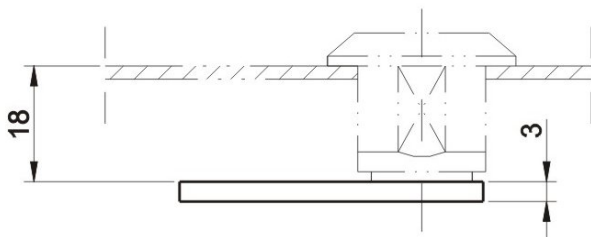
Dimension H	Cat.No.
18	03.040
21	03.041
24	03.042
29	03.043

Material : steel, zinc plated



Dimension H	Cat.No.
18	03.235
21	03.236
24	03.237
29	03.238

Material : PA6, RAL 7035/gray, 9005/black



Cat.No. 03.353

Material : steel, zinc plated

Order example : **Cam 03.040**