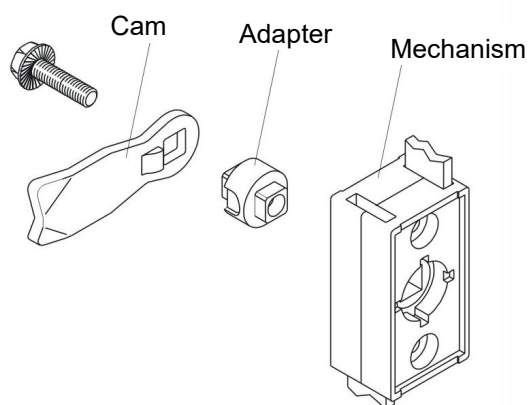
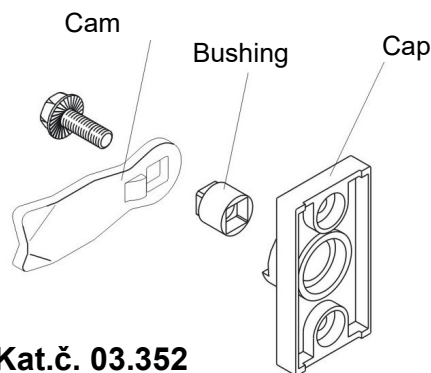
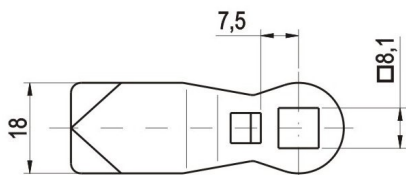
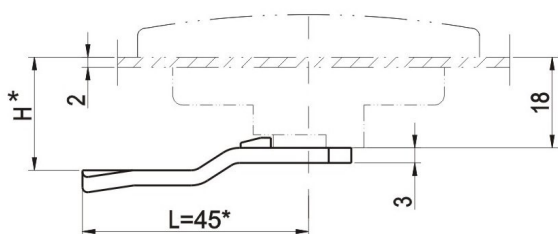


Dimension H		Cat.No.
locks	Only for mechanism	
18	23	03.344
21	26	03.345
24	29	03.346
29	34	03.347



For assembly with mechanism you have to use adapter.
Material : steel, zinc plated



Bushing : **Kat.č. 03.352**

For assembly with cap you have to order bushing.

Dimension H	Cat.No.
18	03.032
21	03.033
24	03.034
29	03.035

Material : steel, zinc plated

Example order for cam H = 18 mm : **Cam 03.032**