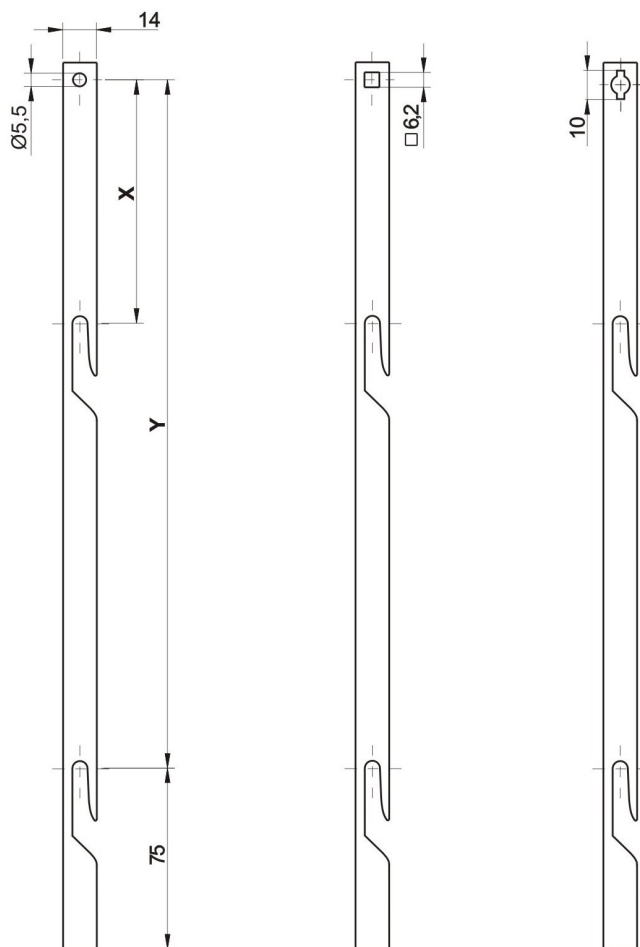


Rods SRU19 version C



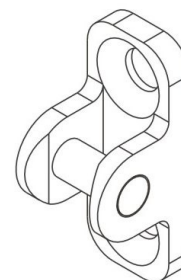
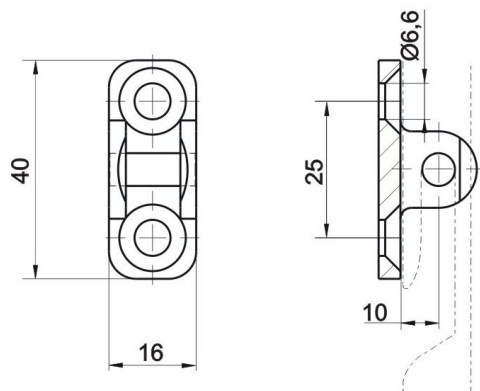
Material: steel, zinc plated

Order example: Rod SRU19 / 03.959

Height of door	Dimensions of the rod		Measure from the centre of the door		Catalogue number		
					Version C		
	X	Y	C	D	Circular hole	Square hole	Shape hole
800 –1200	-	126	-	300	03.959	03.964	03.969
1200 –1600	-	276	-	450	03.960	03.965	03.970
1600 –1900	101	526	275	700	03.961	03.966	03.971
1900 –2200	101	676	275	850	03.962	03.967	03.972

Catch W314

Cat.No. 03.974



Material : steel, zinc plated

Order example : Catch W314