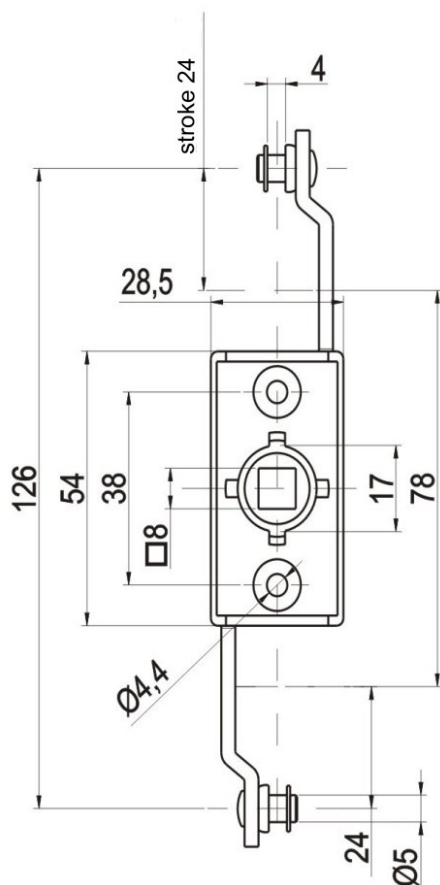
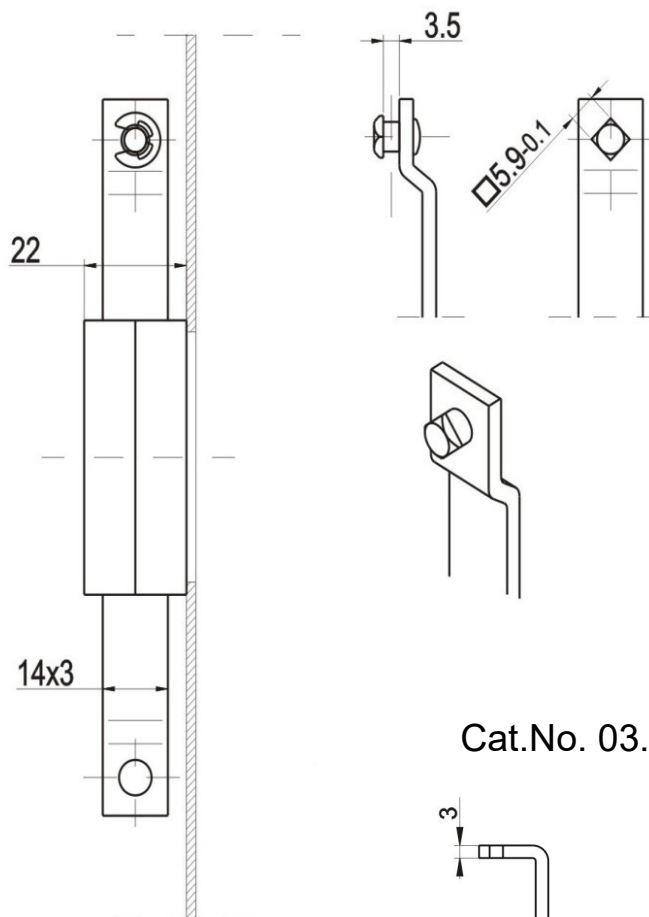


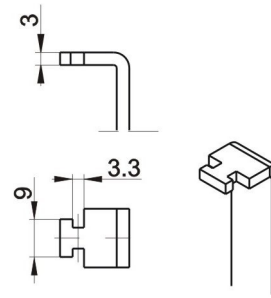
Cat.No. 03.080



Cat.No. 03.392



Cat.No. 03.395



Material :
Body : alloy ZnAl
Rods : steel, zinc plated

Order example : **Mechanism M1 03.080**