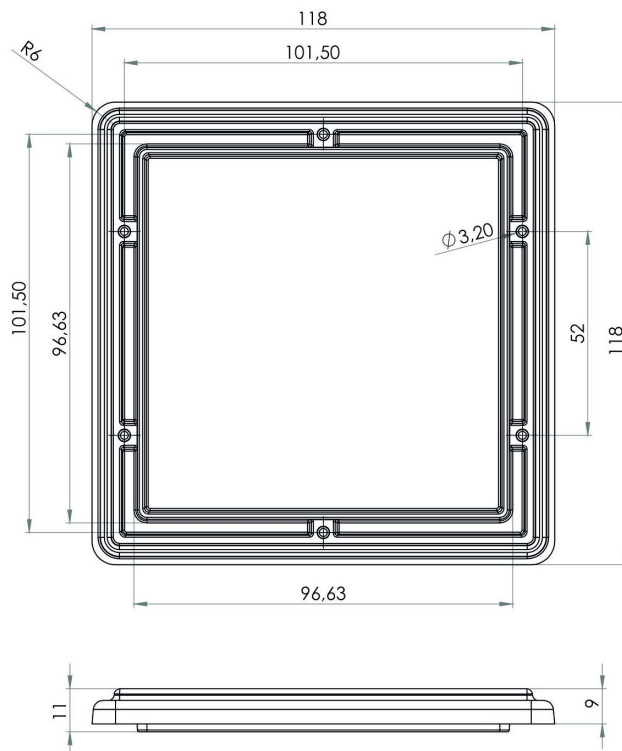
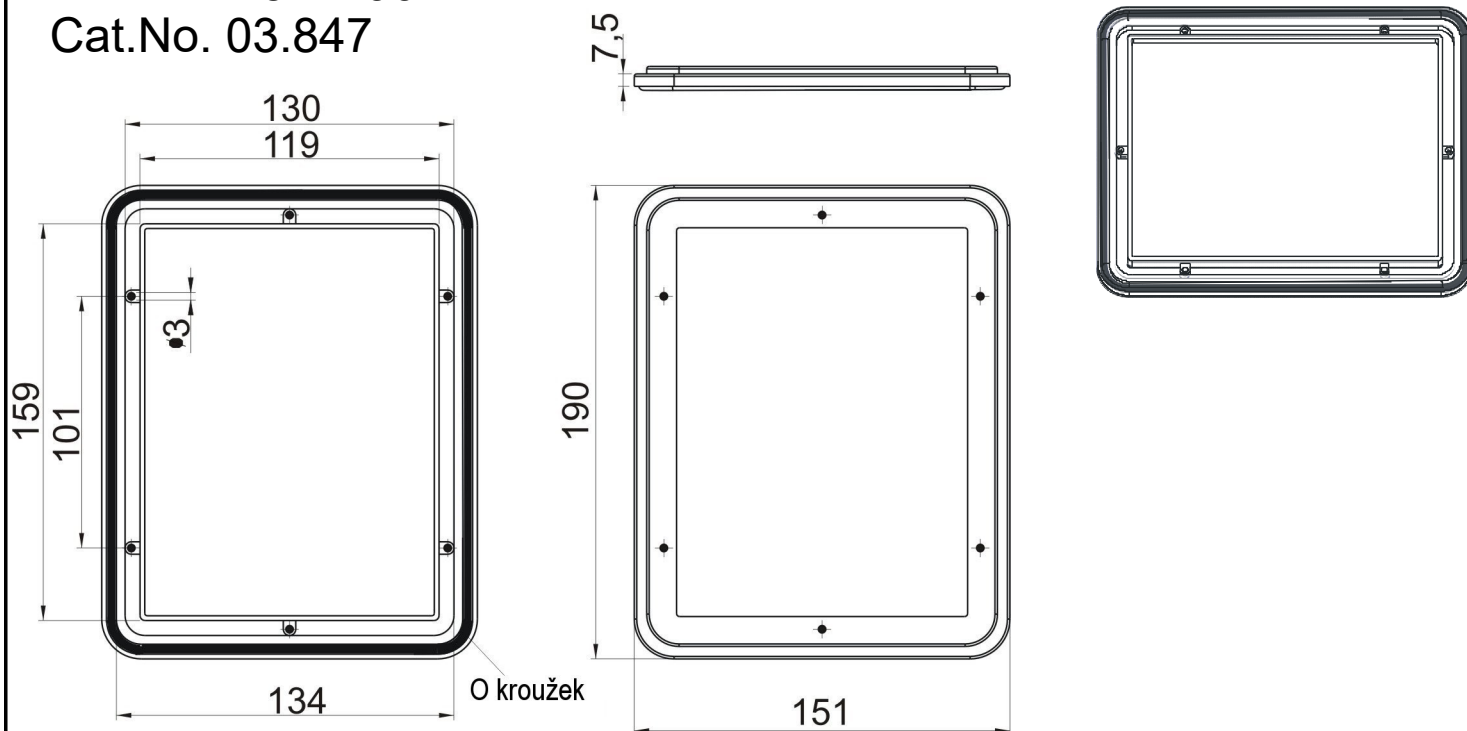


Window 118x118
Cat.No. 03.858Window 151x190
Cat.No. 03.847

Material: transparent plastic

Order example : Window 117x117 Cat.No. 03.846