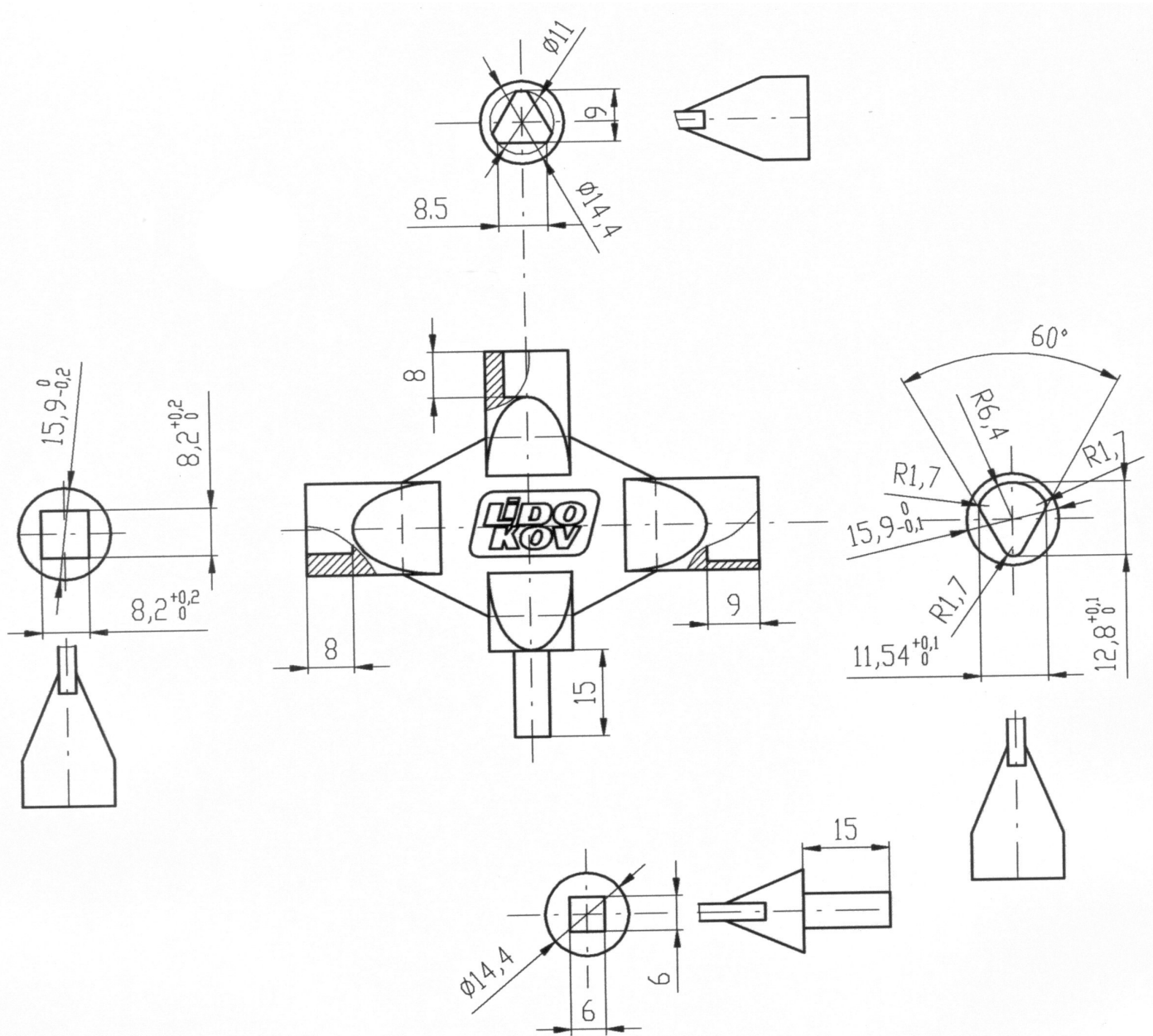


Cat.No. 01.033



Material : Alloy ZnAl, zinc plated

Order example : **Multi key 01.033**