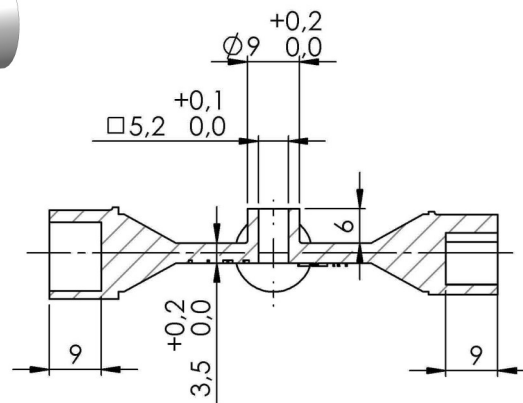
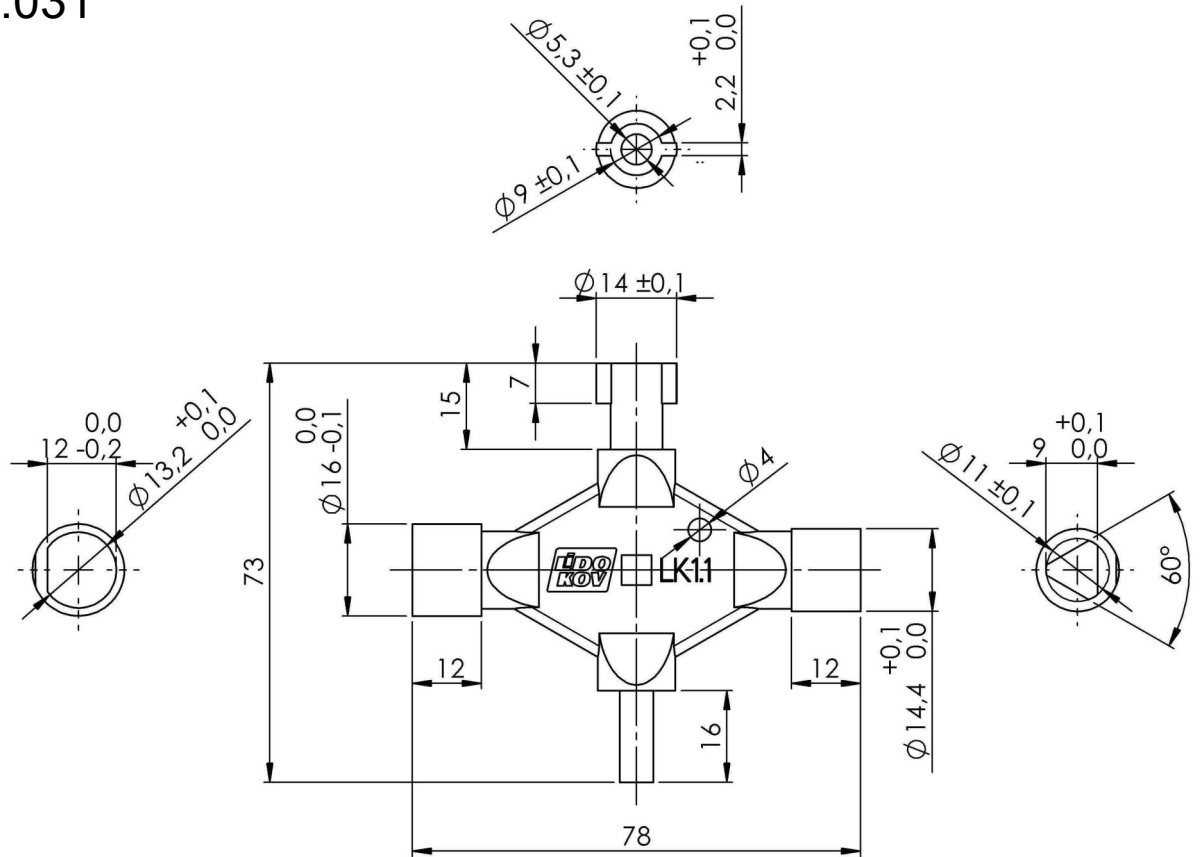


Cat.No. 01.031



Material : Alloy ZnAl, zinc plated

Order example : Multi key 01.031