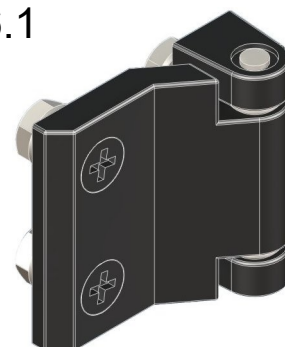
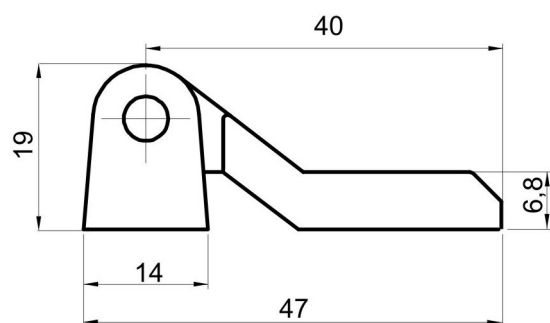
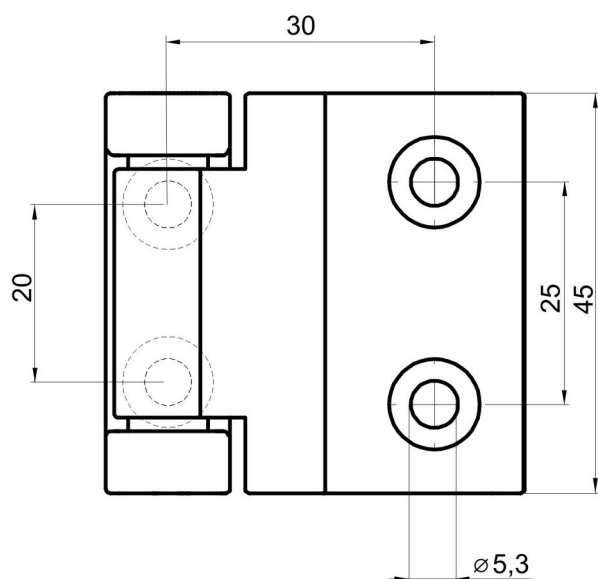


Cat.No. 03.1027

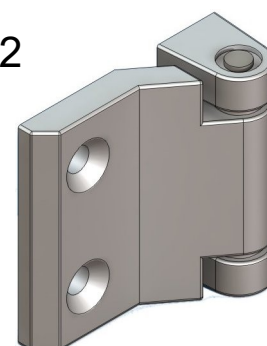
RT 86.1



Material:
body - alloy ZnAl, powder coated - RAL9005
pin - steel,



RT 86.2



Material:
body - alloy ZnAl, chrome plated
pin - steel,

Order example chrome finish :
Hinge RT 86.2 03.1027