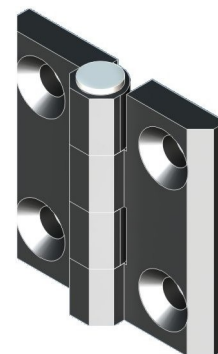
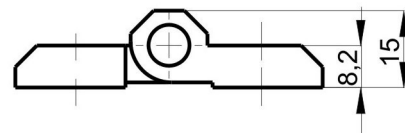
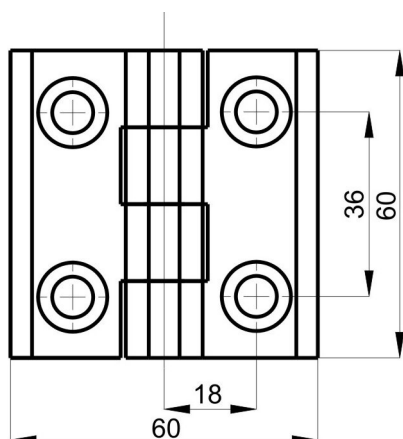
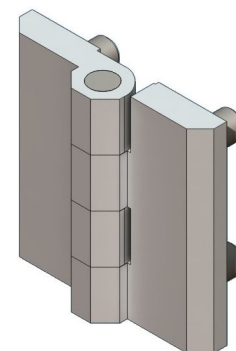
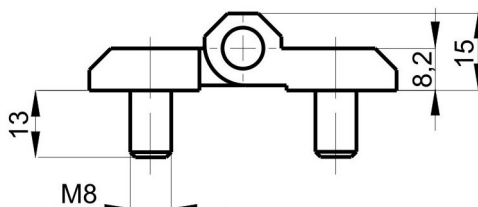
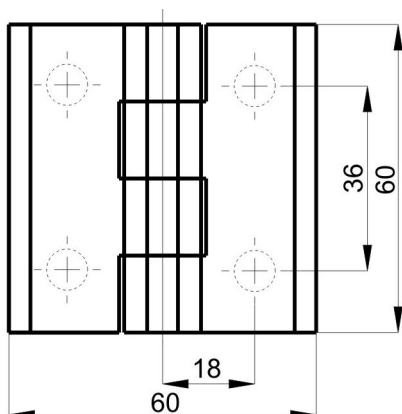


RT 83.1

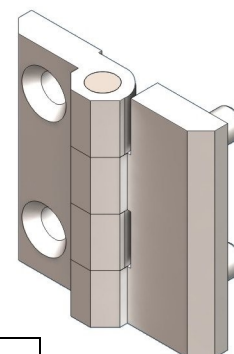
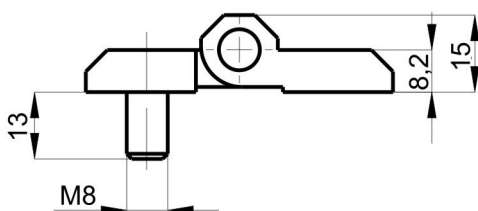
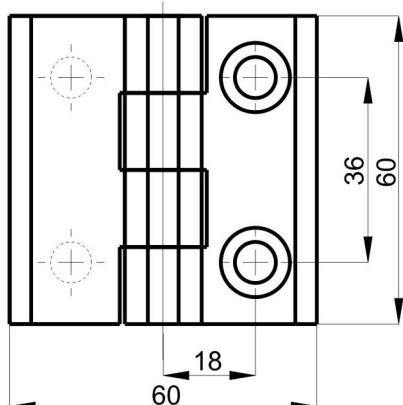
Cat.No. 03.1024



RT 83.2



RT 83.3



**Material:**  
body - alloy ZnAl  
pin - steel,

Hinge	Version	
	Chrome plated	Powder coated
RT 83.1	Cr	RAL 9005
RT 83.2	Cr	RAL 9005
RT 83.2	Cr	RAL 9005

Order example chrome finish, version RT 83.1 :

**Hinge RT 83.1 03.1024 / Cr**