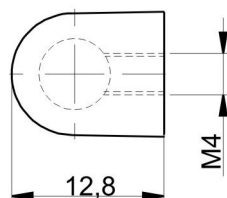
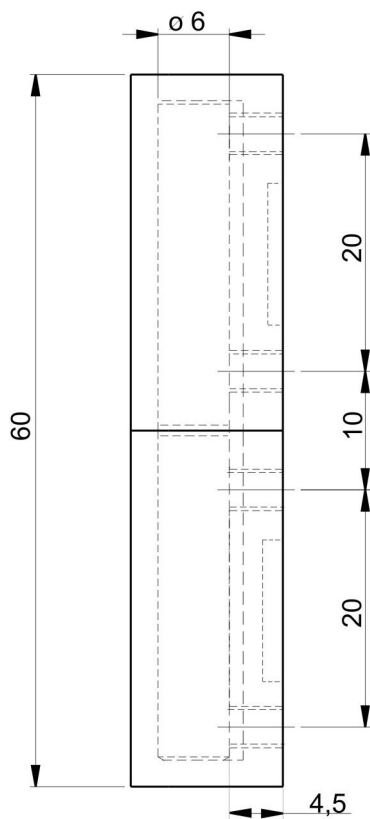
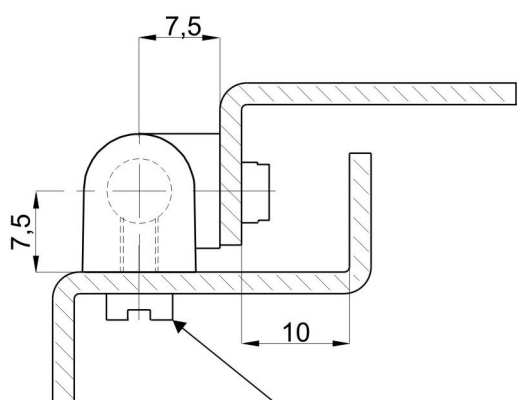
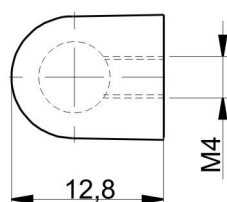
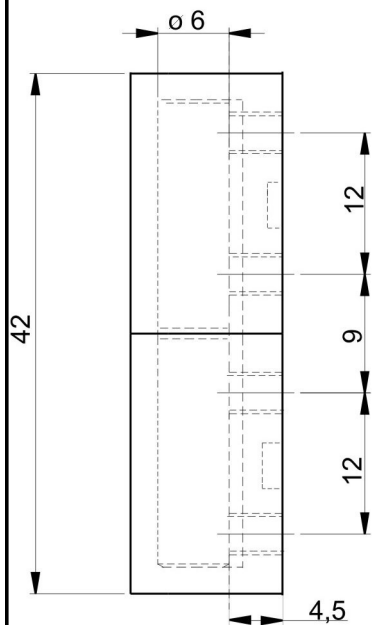


## Hinge RT 79.1

Cat.No. 03.1007

## Hinge RT 79.2

Cat.No. 03.1008



4 screws M4, DIN84, ISO1207

**Material :** Hinge - alloy ZnAl , pin - steel  
**Surface finish :** Powder coating, RAL 9005.

Order example : **Hinge RT 79.1 - 03.1007**